



PRO SOUND



INDEX

HDL LINE ARRAY SYSTEMS

HDL 50-A 4K	page 12
HDL 30-A	page 14
HDL 28-A	page 16
HDL 26-A	page 18
HDL 20-A	page 20
HDL 10-A	page 22
HDL 6-A	page 24
Features	page 26
Accessories	page 28

HDL FLYABLE SUBWOOFERS

HDL 38-AS	page 30
HDL 36-AS	page 30
HDL 35-AS	page 31
HDL 12-AS	page 31
Features	page 32
Accessories	page 33

TWO-WAY COLUMN ARRAYS

NXL 44-A MK2	page 34
NXW 44-A	page 34
NXL 24-A MK2	page 34
Features	page 35
Accessories	page 35

TWO-WAY PROFESSIONAL SPEAKER

HDM 45-A	page 36
Features	page 37
Accessories	page 37
NX 9 SERIES	page 38
Features	page 40
Accessories	page 41

TWO-WAY MULTIPURPOSE SPEAKERS

NX 45-A	page 42
NX 32-A	page 42
Features	page 43
Accessories	page 43

STAGE MONITORS

NX STAGE MONITORS	page 44
Features	page 46
Accessories	page 47

SUBWOOFERS SERIES

SUB 9007-AS	page 48
SUB 9006-AS	page 48
SUB 9004-AS	page 49
SUB 8008-AS	page 49
SUB 8006-AS	page 50
SUB 8004-AS	page 50
SUB 8003-AS II	page 51
SUB 905-AS II	page 51
Features	page 52
Accessories	page 54

RDNET NETWORK DEVICES

RDNET CONTROL 8	page 56
RDNET CONTROL 2	page 57

SYSTEM CONTROL

DX 1616	page 58
CR 16-ND	page 58
Features	page 59
Accessories	page 59

POWER

PR 63	page 60
Features	page 61
Accessories	page 61

PHILOSOPHY

When searching for a new touring sound system there are essential prerequisites: higher SPL's, constant directivity and sonic excellence. In today's competitive world rental companies are looking for more, such as reduced weight, speed of rigging/derigging and ease of transportation. And once the system is in the air, with ever

decreasing venue prep times, speed of optimisation using the inherent management software is vital. The HDL System is changing the concept of large format arrays, providing first class performance to an extended market of professional users.



THE SYSTEM

WHY ACTIVE?

The HDL System is composed of HDL 30-A and HDL 50-A, equipped with modern and innovative technology. Each component has been consistently and specially developed by RCF's experienced engineering teams, with all components carefully matched to each other. This complete integration of all components allows not only superior performance and maximum operational reliability, but also provides users easy handling and plug & play comfort. Besides this important fact, active speakers offer valuable advantages: while passive speakers often need long cable runs, the energy loss due to the cable resistance is a huge factor. This effect is irrelevant in powered speakers where the amplifier is just a couple of centimeters

away from the transducer. An active sound reinforcement system means more than just having amplifiers packed into a speaker housing. The real innovation is when each single component is controlled by individual DSP settings. Scaling a line array is the most important aspect when talking about best performance and coverage. Where passive systems have limits in impedance load or number of amplifier channels, an active RCF sound system is freely scalable and individually controllable. Having an HDL system gives you the freedom to work at many different locations with the same system, merely changing the number of modules.



THE TRANSDUCER INNOVATORS

RCF specialises in developing advanced transducer technology including the application of high-tech materials such as Neodymium, Carbon Fiber, Pure Titanium, Kevlar, Kapton and Mylar hybrids. With over 70 years of design and manufacturing experience in the market, RCF has been instrumental in technological inventions such as carbon fiber cone molding, double silicon spiders, inside/outside

voice coil windings to edge wound voice coil manufacturing and pure titanium diaphragm forming.

Our latest developments have resulted in designing state of the art neodymium magnetic circuits, radically new voice coil ventilation systems and ground breaking direct drive voice coil assemblies.

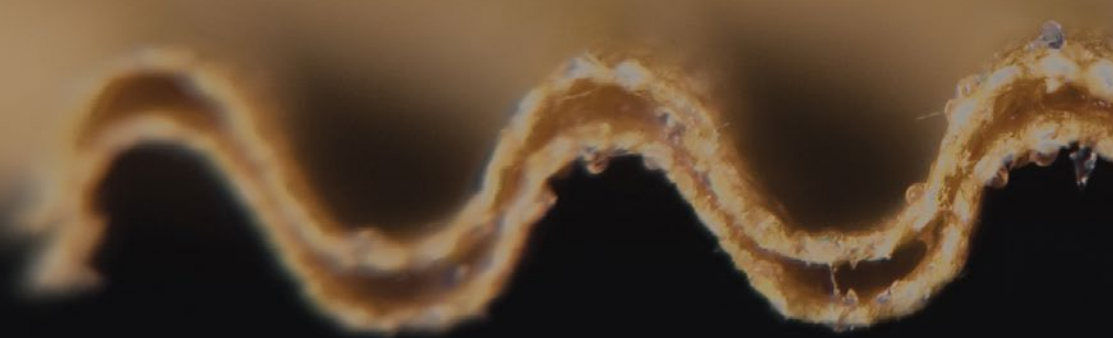
DUAL SILICONE SPIDERS

RCF's original invention of the dual silicone sealed spider design offers many advantages: the two spiders offer double resistance to fatigue. The silicone between the cloth layers, being a very high memory material, provides the best shape stability to the spiders. The system, being sealed, functions as an air pump expelling hot air and drawing in cool air every time the cone assembly moves.

CUSTOM DESIGNED WAVEGUIDE

RCF has developed a unique voice coil, combining the advantages of inside/outside technology to the superior quality of polyimideimide materials (wire resins and former resins). The inside/outside coil offers many advantages:

- The dissipation surface is doubled
- The adhesion area to the former is doubled
- During thermal expansion the Former is squeezed between inside and outside layers offering the best mechanical resistance.



TECHNOLOGIES

COMPLEX HYPER-VENTING COOLINGS

In our complex cooling designs individual components come together to create an ideal ventilation system. Finned cooling channels dissipate heat efficiently, the dust cap and the sealed spiders function as an air pump, expelling hot air and drawing in cool air every time the cone assembly moves. Many openings are situated directly on the transducer's side and on the rear plate.

DIRECT DRIVE VOICE COIL ASSEMBLIES

The top of the former is bent and bonded directly to the edge of the titanium diaphragm resulting in a Direct Drive configuration. Direct Drive guarantees optimal transfer of energy between the voice coil and the dome assembly, providing smoother, extended

CUSTOM HIGH FREQUENCY WAVEGUIDES

The HDL custom 4PATH designed waveguide allows precise coverage of 90 x 10 degrees (HDL 50-A) and 100 x 15 degrees (HDL 30-A), while also delivering a superb, linear high frequency response. The unique shape of the four ducts forming the guide creates an ideal isophasic load from the crossover frequency to the highest audible frequencies.

frequency response beyond 10 KHz, reducing break up modes and lowering distortion. This assembly delivers high power handling along with excellent mechanical and thermal properties that make RCF neodymium compression drivers robust and reliable





RCF SOUND SYSTEMS MANAGEMENT AND CONTROL SOFTWARE

RDNet is the RCF management software suite for Sound System Engineers. A robust management network for RCF devices, a line-array design tool, a monitoring platform, and a complete audio analyzer in one package. RDNet provides intuitive management of every connected device/object on the network. A network user can control all DSP settings inside any compatible device, including advanced subwoofer configurations, from a single object to a group of objects.

TOOLBOX FOR SOUND SYSTEM DESIGN

RDNet is more than just a speaker management software - you can control parameters and internal routings of multiple RCF devices, such as digital matrixes or amplifiers, both in live or

installed applications. Featuring an advanced measurement suite and the ability to save/recall presets on the cloud, RDNet is the all-in-one solution for both touring and installed sound systems.



- Devices' auto scan and configuration
- Complete system's real time monitoring
- Arrays and zones grouping
- Individual components hi-pass, EQ, gain and delay adjustment
- Multiple-type EQ, Bass Shaper and FIRPHASE
- Automatic cluster size shaping and air compensation
- Shape designer array calculator with subwoofer configuration help

TECHNOLOGIES

MONITOR AND MANAGE

The RDNet Scan function sequentially scans all audio devices, recognizes, assigns digital address labels, and adds devices as objects in the main window. The real-time monitoring features a multitude of parameters such as fan speed, temperature, the inclination of a single speaker, VU Meters, peak levels and more. RDNet takes direct control on the internal EQ and High-Pass filter on each cabinet.

TRAVEL LIGHT ON CLOUDS

You don't need your personal computer anymore. Just connect your computer to the web, sign-in to your account, and you are ready to go with a complete set of audio tools for your RCF audio system. You can also save your projects and measurements and recall them anywhere you are.

EASY SUBWOOFER CONFIGURATION

Guided subwoofer configurations help the engineer to set up subwoofer Cardioids, Arcs, or EndFire configurations in one pass, while the Bass Shaper fine-tunes the desired timbre on low frequencies. With three sliders and a few steps, it's easy to correct low-end behavior while maintaining tonal balance across the entire system.

NETWORKED SPEAKER CONTROL

When the RCF sound system is connected via Control2 or Control8 interfaces, the system engineer has complete control of time delay and equalization of all speakers, individually or grouped. With its built-in communication board and DSP, each device is an active part of the system, able to store presets, receive commands, and continuously send status information of single components or transducers. Comprehensive monitoring is standard in RDNet: VU metering, clip indicator, limiter intervention, device inclination, communication issues, and much more.

GET THE MOST OF YOUR SYSTEM

RDNet gives the ability to control devices in Groups for easy supervision. Arrays customizable Group properties are Zones, Air Compensation, Cluster Size, FIRPHASE Gain. When assigning Group Array objects in Zones: every Zone has its color for quick reference of set parameters. An incremental control shapes the Air Absorption Compensation, which can be very useful with changes in humidity or temperature (e.g., soundcheck on a sunny day, concert on a humid night). The line array's low-mid shaping is automatically calculated on the Cluster size to obtain the perfect linear frequency response from the entire system.



TAKE ALL APPROPRIATE MEASURES

RDNet Measure is a powerful 4-input Dual-Channel FFT Audio Analyzer able to measure Magnitude, Phase, RTA, Coherence, and Impulse response. Functions included spans from a delay finder, a multiple signal generator, and an integrated SPL meter/logger with calibration tools. There's no need for external software to get the job done.

STRAIGHT-FORWARD SOUND DESIGN

Shape Designer prediction software enables a two-dimensional acoustic simulation of the array configuration and suggest LF Corrections based on the cluster size. The system curvature angles and sound projection data are computed with maximum sound pressure levels for the given design. The software provides system curvature and weight, system rigging points, and cabinet angles.



BASS MOTION CONTROL

When searching for an extended bass with enhanced performance, RCF engineers found a way to remove the high-pass filter, replacing it with a forward-thinking approach. Introducing BMC (Bass Motion Control), the newly advanced woofer excursion management feature. ART 9 with BMC can handle the lowest audible frequencies without affecting the woofer stability, with extended linearity and better sound integrity.

The BMC method works by creating a complete map of the dynamic behavior of the woofer, to generate a custom algorithm that only limits over-excursions. This gives total freedom of signal reproduction to the transducer. When high-pass filters normally protect the woofer motion from

becoming destructive, but change the phase behavior, the new BMC algorithm breaks conventional rule. In combination with FIRPHASE technology, ART 9 has a level of DSP audio performance never achieved in this range of speakers.

Control Of Mechanical Displacement

High-Pass Filter Removal

Remove Limiter In The Whole Range



Improved Performance

Constant Timbral Balance

TECHNOLOGIES



FiRPHASE TECHNOLOGY

RCF speakers are designed using a proprietary and advanced FiR filtering technology, conceived to deliver transparent sound, absolute clarity and perfect stereo images to the listener. The special FiRPHASE filters allow for coherent distribution of sound for all listeners without phase distortions, ensuring minimum latencies in the system.

The design of the FIR filter for this specific purpose should start from an accurate measurement of the loudspeaker phase. FiRPHASE algorithm use this measurement and adapt the loudspeaker's phase without touching the amplitude equalization.

The advanced technique used by FiRPHASE is a recursive method (least squares method) combined with a proprietary algorithm that calculates the best FIR filter coefficients

according to amplitude and phase constrains.

The algorithm corrects phase and amplitude (if necessary) by identifying the weak points of both the transducers and cabinet of the loudspeaker.

This technique allows a deep control of phase at mid-low frequency with relatively small filters, while also achieving a higher resolution than that one as theory suggests.



HDL 50-A 4K

The 4K amplifier doubles the power of the HDL 50-A to achieve new levels of clarity and absence of distortion. Transducers work at full performance and the SPL output is more than doubled. Furthermore, we improved the power supply section with a tripled current level on fast transients, for a level of detail usually achieved only in high-end studio monitors.

The HDL 50-A 4K is an active 3-way line array module for large-sized events, indoors and outdoors. It features a sound pressure level of 143 dB SPL with a built-in 4000 W RMS Class-D four-channel amplifier. Equipped with eight best-of-class transducers, it offers excellent playback quality ideal for professional musical applications. The proprietary 90 x 10 degrees 4PATH waveguide with the symmetrical design of the cabinet delivers optimal coverage.

CABINET

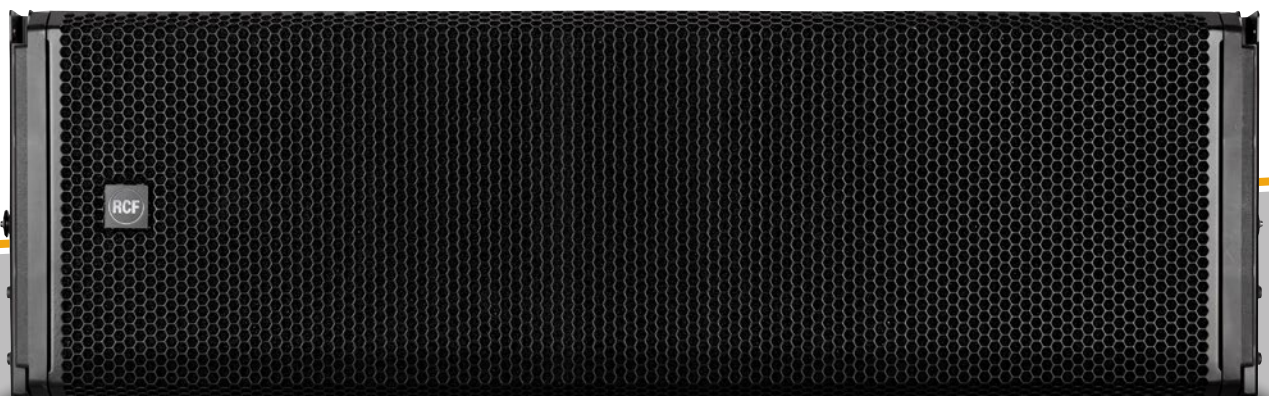
The HDL 50-A 4K tour-grade system comes in a composite wooden-polypropylene enclosure, and is equipped with two aluminum side handles with rubber handgrips and two rear handles for portability.

FULLY INTEGRATED SYSTEM

The compact and lightweight design of the system combines with rugged steel mechanics for easy rigging and transportation.

ACTIVE THREE-WAY LINE ARRAY MODULE

- 8000 Watt power, 4 x onboard amplifiers
- 143 dB max SPL
- 2 x 12" neodymium woofers
- 2 x 3" titanium dome neodymium compression drivers
- Remarkably compact and lightweight
- FiRPHASE Technology
- **R**DN**E**T remote monitoring and control



*the most powerful
HDL array ever*

MAXIMUM EFFICIENCY

The HDL 50-A 4K is a true active high-power ready to use touring system. Equipped with a high-efficiency Class-D amplifier that delivers superior SPL, while reducing energy consumption. The integrated processing and cabling reduction makes the set-up fast and easy, while reducing space requirements during transport, due to its compact size.

CONFIGURABLE MECHANICS

The integrated mechanics are both fast and reconfigurable, allowing the system engineer to create J-shaped and spiral arrays with 0.5° resolution. The heavy-duty front grille is powder coated. A special transparent-to-sound foam backing inside helps to further protect the transducers from dust.

LOW FREQUENCIES

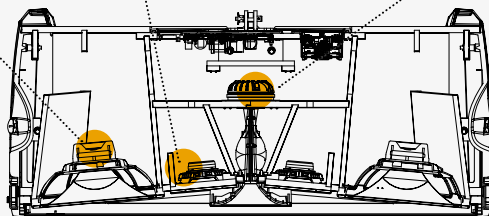
- 2 X 3.0" v.c. neodymium 12" Woofers
- Water resistant fiber doped cone
- Polycotton M-roll surround
- Hypervented magnetic structure

MID FREQUENCIES

- 4 x 2.0" v.c. 6.0" neo Midranges
- Water resistant fiber doped cone
- Polycotton M-roll surround
- High power magnetic structure

HIGH FREQUENCIES

The two ND850 large format compression drivers deliver one of the key advantages of the HDL 50-A 4K. The 3.0" voice coil allows a crossover point of 800 Hz allowing the driver to produce almost all of the vocal range. This creates better coverage and superior efficiency.



V-SHAPED SYMMETRICAL DESIGN

The symmetrical design of the HDL 50-A 4K produces identical left and right coverage. The component positioning and special DSP crossover filtering of the cabinet takes care of the constant directivity without spots of break up or attenuation.

The originally designed V-SHAPED front baffle provides:

- Coplanar midranges and woofers
- Controlled LF dispersion
- Central space to host the HF guide.

The custom 4PATH designed waveguide allows a precise coverage of 90° x 10°, while also delivering a superb, linear high frequency response. The unique shape of the four ducts forming the guide creates an ideal isophasic load from 800 Hz to the highest audible frequencies.



HDL 30-A

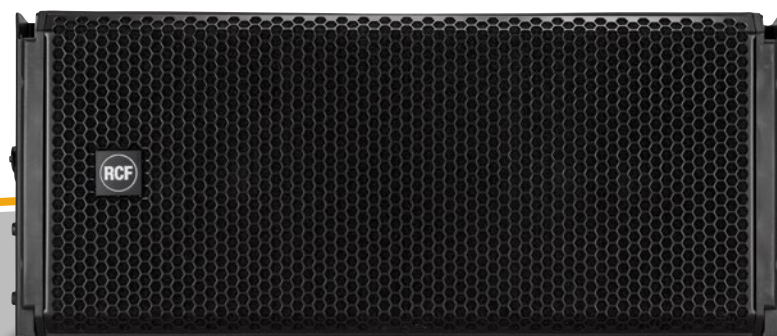
The HDL 30-A is the first line array in a composite cabinet with zero-degree phase and ultra-linear amplitude response. A compact bi-amped two-way active touring system for medium to large events embedding RNet for real-time remote control and monitoring of all the components.

The RCF HDL 30-A is a compact bi-amped 2-way active touring system for medium to large events, both indoors and outdoors. It features two 10-inch woofers and an impressive 4-inch titanium compression driver. The time coherent waveguide is the result of in-depth research and design. HDL 30-A is the first line array in a composite cabinet with zero-degree phase and ultra-linear amplitude response. The built-in 2200 Watt Class-D amplifier delivers excellent playback clarity and up to 137 dB SPL max. The RCF HDL 30-A features state-of-the-art RCF transducers with neodymium magnets. Considering its acoustical power, it has a remarkably low weight for easy handling and flying.

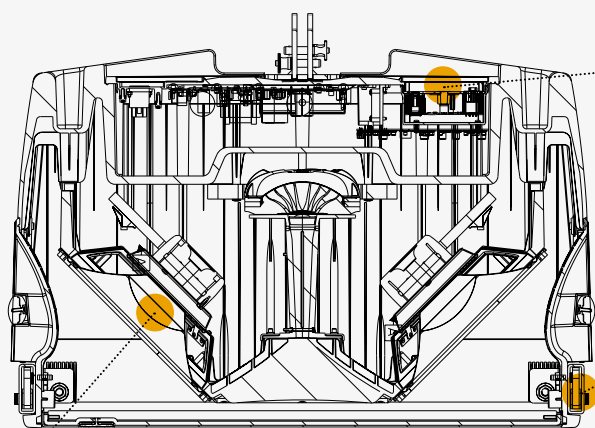
RCF's experienced engineering teams have developed and matched each component starting from the amplifier design, including a dedicated input board, from transducers right up to the complete HDL 30-A system. All HDL 30-A systems are hand-crafted by RCF.

ACTIVE TWO-WAY LINE ARRAY MODULE

- 2200 W Two Way Amplifier
- 137 dB Max SPL
- 4" Titanium Compression Driver
- 2 x 10" Neodymium Woofers
- Exclusive FiRPHASE technology on-board
- 680 Hz Crossover Point
- **RNET** remote monitoring and control



*a lightweight champion
with an impressive punch*



DSP

FIRPHASE filters allow coherent distribution of sound to be achieved for all listeners without phase distortion. Air Compensation for individual cabinets or groups helps to compensate the common frequency loss in air on long throw applications.

MECHANICS

High strength enclosure in composite polypropylene with a revolutionary new rigging concept inspired by its counter part: the RCF HDL 50-A 4K. Given its acoustical power, it has a remarkably low weight for easy handling and flying.

TRANSDUCERS

State of the art RCF transducers with neodymium magnets. Two 10" woofers and an impressive 4" titanium compression driver on a symmetrical design, for constant horizontal coverage.



HDL 28-A

HDL touring sound systems are designed for a wide range of applications, both indoors and outdoors, with an emphasis on vocal intelligibility. Compact and lightweight, the HDL 28-A line array module features powerful transducers, class-D amplification and signal processing for a natural sound at any volume.

The RCF HDL 28-A is a compact bi-amped 2-way active touring system for a wide range of applications, both indoors and outdoors, with an emphasis on vocal intelligibility. It features two 8-inch woofers and an impressive 3-inch titanium compression driver. The time coherent waveguide is the result of in-depth research and design. Following the HDL 30-A philosophy, the HDL 28-A shares the composite material cabinet, the zero-degree phase and ultra-linear amplitude response. The built-in 2200 watt class-D amplifier delivers excellent playback clarity and up to 135 decibels SPL max. The RCF HDL28-A features state of the art RCF transducers with lightweight neodymium magnets. Considering its acoustical power, it has a remarkably low weight for easy handling and flying. The HDL 36-AS is the ideal flyable bass complement for the HDL 28-A array system.

FLYING ATTITUDE

The integrated mechanics are both fast and reconfigurable, allowing the system engineer to create J-shaped and spiral arrays. The hardware is designed for easy and fast setup. The angle can be adjusted on the ground before the system is hung and slipped automatically into the correct position as the array is pulled up. Up to 20 HDL 28-A modules can be fastened on a single flybar.

ACTIVE TWO-WAY LINE ARRAY MODULE

- 2200 W Two Way Amplifier
- 135 dB Max SPL
- 2 x 8" Neodymium Woofers, 2.5" voice coil
- 1.4" Titanium Compression Driver, 3.0" voice coil
- Exclusive FiRPHASE technology on-board
- 750 Hz Crossover Point
- **R**DN**E**T remote monitoring and control

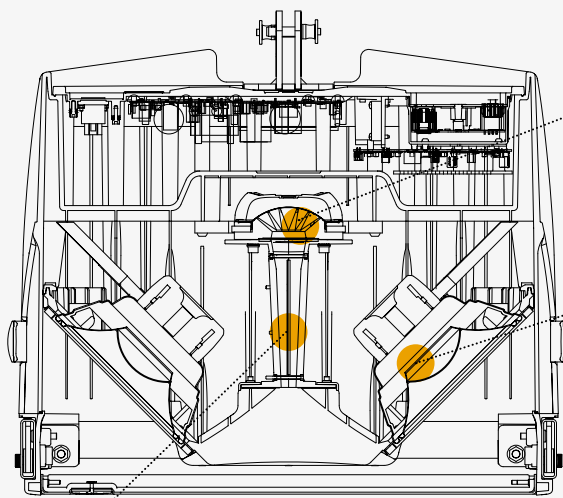


*superior
vocal clarity*



FIRST CLASS TRANSDUCERS

The RCF HDL 28-A features state-of-the-art RCF transducers with neodymium magnets. RCF's experienced engineering teams have specially developed and matched each component — starting from the power supply through the input board, to the amplifiers and transducers, right up to the complete HDL 28-A System.



HIGH FREQUENCIES

- High-performance RCF ND840
- 3.0-inch diaphragm titanium compression Driver
- 1.4-inch exit throat
- 750 Hz Crossover Point

LOW FREQUENCIES

- 2 X 2.5" voice coil neodymium 8" Woofers
- Linear low frequencies handling down to 65 Hz
- Water resistant fiber doped cone
- Polycotton M-roll surround
- Vented magnetic structure

The custom 4 PATH-designed waveguide allows precise coverage of 100 x 15 degrees, while also delivering an excellent, linear high-frequency response. The unique shape of the four ducts forming the guide creates an ideal isophasic load from 750 Hz to the highest audible frequencies.



HDL 26-A

HDL active two-way touring systems are designed for small to medium-sized events, both indoors and outdoors. With an accurate transducer design and a 2.000W Class-D amplifier, the HDL 26-A is exceptional in its class.

The RCF HDL26-A is an ultra-compact bi-amped two-way active touring system for small and medium-sized events, both indoors and outdoors. Due to the advanced transducer design and the 2000W Class-D amplifier, among the best in its class, it is capable of an extended bottom-end and a pristine sound for a wide range of applications, alone or in RNet managed line-array configurations. The HDL 35-AS is the ideal flyable bass complement for the HDL 26-A array system.

ADVANCED DESIGN

The integrated fittings are both easy to use and reconfigurable, allowing the system engineer to create J-shaped and spiral arrays starting at 1° angle. The hardware is designed for easy and fast setup. Up to 16 HDL 26-A modules can be fastened on a single flybar. The heavy-duty front grille is powder coated. A special transparent-to-sound foam backing inside helps to further protect the transducers from dust. For weatherproof capabilities, a rain cover is available.

ACTIVE TWO-WAY LINE ARRAY MODULE

- 2000 W Two-Way Amplifier
- 133 dB Max SPL
- 1.5" Titanium Compression Driver
- 2 x 6" High-Powered Neodymium Woofers
- Exclusive FiRPHASE technology on-board
- 750 Hz Crossover for best vocal reproduction
- **RNET** remote monitoring and control





*ultra compact
RCF technology*

FIRST CLASS TRANSDUCERS

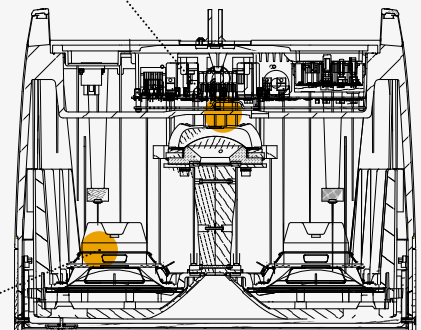
The RCF HDL 26-A features state-of-the-art RCF transducers with neodymium magnets. RCF's experienced engineering teams have specially developed and matched each component — starting from the power supply through the input board, to the amplifiers and transducers, right up to the complete HDL 26-A System.



The custom designed 4 PATH waveguide allows a precise coverage of 100 x 10 degrees, while also delivering an excellent, linear high-frequency response. The unique shape of the four ducts forming the guide creates an ideal isophasic load from 750 Hz to the highest audible frequencies.

HIGH FREQUENCIES

- 3.0-inch diaphragm titanium compression Driver
- 1.4-inch exit throat
- 750 Hz Crossover Point



LOW FREQUENCIES 6" WOOFERS

- 2 X 2.0" voice coil neodymium 6" Woofers
- Low frequencies handling down to 65 Hz
- Water resistant fibre doped cone
- Polycotton M-roll surround



HDL 20-A

The careful acoustic research, no compromise transducers and a unique, composite cabinet design, make the HDL 20-A the preferred audio tool of many professionals. Perfect in live sound reinforcement and reliable installed situations.

The HDL 20-A is the ideal choice when line array performance is needed and a fast and easy set up is a must. The system is powered from a 1400 Watt Peak Power 2-way digital amplifier, sound is processed from a powerful DSP. The processing includes cluster and HF projection correction and special new presets for indoor and high curving situations. The system features state-of-the-art RCF transducers, two powerful 10" for a solid bass reproduction and a large format 3" voice coil compression driver to deliver vocal clarity and high definition with incredible dynamics.

DSP PROCESSING

The HDL 20-A is powered by a 1400W peak power two-way digital amplifier. A new generation DSP handles all the processing within the cabinet and allows adjustment of cluster size and HF projection. The DSP also includes presets for indoor/outdoor usage and highly curved arrays.

ACTIVE TWO-WAY LINE ARRAY MODULE

- 1400 Watt Peak power
- 135 dB max SPL
- 55 Hz ÷ 20 kHz frequency response
- 2 x 10" Woofers
- 1 x 3" Compression Driver
- DSP controlled Input section with selectable presets
- Tour grade safe and solid variable mechanics
- Composite PP enclosure structurally wooden reinforced





TOUR SOUND IN A COMPACT SIZE

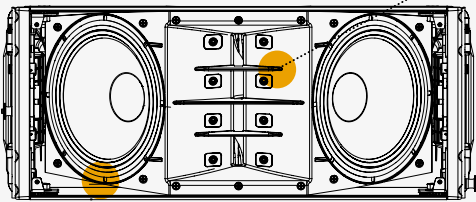
The HDL 20-A is a true active and high power ready to use touring system equipped with a high efficiency digital amplifier that delivers superior SPL reducing energy requirement. The integrated processing and the cabling reduction will make the set-up faster and easier and, thanks to its compact size, the truck space requirement is reduced to the minimum.

HIGH FREQUENCIES

The CD 850 large format compression driver delivers one of the key advantages of the HDL 20-A. The 3" voice coil allows a crossover point of 800Hz and therefore almost all of the vocal range can be produced by this driver. This allows better coverage and dispersion control and superior efficiency.



The custom designed waveguide allows a precise coverage of 100 x 15 degrees, while also delivering a superb, linear high-frequency response.



LOW FREQUENCIES 10" WOOFERS

- 2,5" Inside-Outside voice coil
- Water resistant fibre doped cone
- Polycotton M-roll surround
- High-power magnetic structure



HDL 10-A

Compact bi-amped 2-way active touring system for a wide range of applications, with an emphasis on vocal intelligibility.

The very compact size, no compromise transducers and a unique composite cabinet design make the HDL 10-A the perfect audio tool in many situations. Ideal for live sound reinforcement and reliable installed applications, the HDL 10-A is an excellent choice when line array performance is needed and a fast and easy set up is a must. The system is powered by a 1400 Watt Peak Power 2-way digital amplifier, sound is processed with a powerful DSP.

POWERFUL CLASS D AMPLIFIERS

RCF's Class-D power amplifier technology packs huge performance operating with high efficiency into a lightweight solution. HDL amplifiers deliver a ultra-fast attack, realistic transient response, and impressive audio performance. The amplifier features a solid machined aluminium structure which not only stabilises the amplifier during transportation but also helps the fan-less heat dissipation. All the HDL amplifiers present SMPS power supply section to produce maximum output and minimum weight.

ACTIVE TWO-WAY LINE ARRAY MODULE

- 1400 Watt Peak power
- 133 dB max SPL
- 65 Hz ÷ 20 kHz frequency response
- 2 x 8" Woofers
- 1 x 2" Compression Driver
- DSP controlled Input section with selectable presets
- Tour grade safe and solid variable mechanics
- Composite PP enclosure structurally wooden reinforced

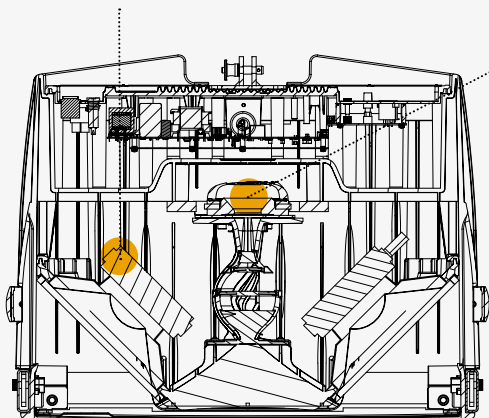


*your voice
louder*



LOW FREQUENCIES 8.0" WOOFERS

- 2,0" Voice coil
- Water resistant fibre doped cone
- Polycotton M-roll surround
- High-power magnetic structure



HIGH FREQUENCIES

The ND640 large format compression driver is one of the key advantages of the HDL 10-A, the 2.5" voice coil allows a crossover point of 800Hz and therefore almost all the vocal range can be produced by this driver. This allows better coverage, dispersion control and superior efficiency.



With its large format compression driver on a waveguide, the HDL 10-A offers superior intelligibility over distance.



HDL 6-A

The concept of this speaker derives from the touring industry, bringing in a compact cabinet all the experience of RCF professional sound.

The HDL 6-A is the ideal choice when line array performance is needed and a fast and easy set-up a must. A 1400 W 2-channel class-D amplifier powers the system. A powerful DSP processes the sound including crossover, phase correction, limiting and protection. The system features state-of-the-art RCF transducers – two powerful 6.0" woofers for a solid bass reproduction plus a high powered 1.7" voice coil compression driver mounted on a precise 100° x 10° waveguide delivers vocal clarity with high definition and an incredible dynamic. The HDL 12-AS is the ideal flyable bass complement for the HDL 6-A array system.

SYMMETRICAL DESIGN

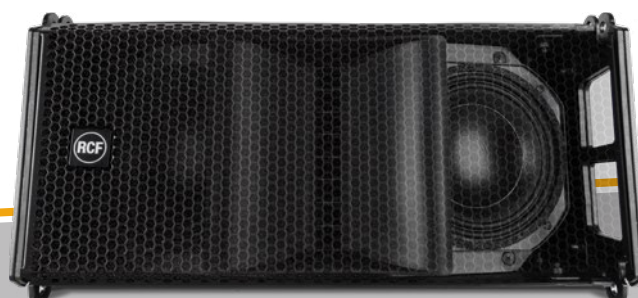
Due to its symmetrical design the HDL 6-A produces constant coverage without break up or attenuation.

The HDL 6-A tour grade system comes in a structurally wooden reinforced composite polypropylene enclosure, and is equipped with two aluminium rear handles for portability.

The RCF HDL will maintain its intelligibility, definition and signal strength while competitive models will attenuate and break up before the sound reaches its throw distance.

ACTIVE LINE ARRAY MODULE

- 1400 W, two-way amplification
- 131 dB max SPL
- 1.7" voice coil neodymium compression driver
- 2 x high power neodymium 6.0"woofers
- 48 kHz, 32 bit floating point DSP processing
- Symmetrical design
- Extremely low weight
- FIRPHASE processing



*the tiniest
RCF monster*

HIGH FREQUENCIES

The ND340 high power compression driver delivers one of the key advantages of the HDL 6-A. A 1.7" voice coil with a crossover point of 900 Hz allows the driver to produce almost all the vocal range. This allows better coverage and dispersion control and superior efficiency.



CUSTOM DESIGNED WAVEGUIDE

The custom designed waveguide provides a precise coverage of 100° x 10° delivering a superb, linear high frequency response.



LOW FREQUENCIES 6.0" WOOFERS

- 2.0" Edge-wound copper voice coil
- Water resistant ber cone
- Polycotton M-roll surround
- High-power neodymium magnetic structure



HDL LINE ARRAY SYSTEM

From small rooms to big venues, the HDL system flexibility covers all the acoustic needs of the sound engineer. Thanks to the versatile HDL product range and RDNet remote management, reaching the best listening experience in any venue is an easy task.

FEATURES



	HDL 50-A 4K	HDL 30-A	HDL 28-A
Acoustical specifications			
Frequency Response:	40 Hz ÷ 20000 Hz	50 Hz ÷ 20000 Hz	50 Hz ÷ 20000 Hz
Max SPL @ 1m:	143 dB	137 dB	135 dB
Horizontal coverage angle:	90°	100°	100°
Vertical coverage angle:	10°	15°	15°
Transducers			
Compression Driver:	2 x 1.4" neo, 3.0" v.c.	1 x 1.4" neo, 4.0" v.c.	1 x 1.4" neo, 3.0" v.c.
Midrange:	4 x 6.0" neo, 2.0" v.c.	-	-
Woofers:	2 x 12" neo, 3.0" v.c.	2 x 10" neo, 2.5" v.c.	2 x 8" neo, 2.5" v.c.
Input/Output section			
Input signal:	bal/unbal	bal/unbal	bal/unbal
Input connectors:	XLR, RDNet Ethercon	XLR, RDNet Ethercon	XLR, RDNet Ethercon
Output connectors:	XLR, RDNet Ethercon	XLR, RDNet Ethercon	XLR, RDNet Ethercon
Input sensitivity:	+4 dBu	+4 dBu	+4 dBu
Processor section			
Crossover Frequencies:	200 Hz - 800 Hz	680 Hz	750 Hz
Protections:	Thermal, RMS	Thermal, RMS	Thermal, RMS
Limiter:	Soft Limiter	Soft Limiter	Soft Limiter
Controls:	Cluster size, HF correction, RDNet	Preset, RDNet bypass	Preset, RDNet bypass
Power section			
Total Power:	8000 W Peak	2200 W Peak	2200 W Peak
High frequencies:	2000 W Peak	600 W Peak	600 W Peak
Mid frequencies:	2000 W Peak	-	-
Low frequencies:	4000 W Peak	1600 W Peak	1600 W Peak
Cooling:	Convection	Forced	Forced
Connections:	Powercon IN/OUT	Powercon IN/OUT	Powercon IN/OUT
RCF Technology			
	FIRPHASE RDNET	FIRPHASE RDNET	FIRPHASE RDNET
Standard compliance			
CE marking:	Yes	Yes	Yes
Physical specifications			
Cabinet/Case Material:	Baltic birch plywood	PP Composite	PP Composite
Hardware:	Integrated Mechanics	Array fittings	Array fittings
Handles:	2 side, 2 rear	2 Side	2 Side
Grille:	Steel	Steel	Steel
Color:	Black	Black	Black, White
Size			
Height:	366 mm / 14.41"	293 mm / 11.54"	294 mm / 11.57"
Width:	1171 mm / 46.1"	705 mm / 27.76"	569 mm / 22.4"
Depth:	502 mm / 19.76"	502 mm / 19.76"	491 mm / 19.33"
Weight:	58.4 kg / 128.75 lbs	25 kg / 55.12 lbs	20.6 kg / 45.42 lbs
PART NUMBER			
90-240 V Black	13000641	13000511	13000579
90-240 V White	-	-	-
220-240V Black	-	-	-
115V Black	-	-	-
220-240V White	-	-	-
115V White	-	-	-



HDL 26-A	HDL 20-A	HDL 10-A	HDL 6-A
55 Hz ÷ 20000 Hz	55 Hz ÷ 20000 Hz	65 Hz ÷ 20000 Hz	65 Hz ÷ 20000 Hz
133 dB	135 dB	133 dB	131 dB
100°	100°	100°	100°
10°	15°	15°	10°
1 x 1.5" neo, 3.0" v.c.	1 x 2.0", 3.0" v.c.	1 x 2.0", 2.5" v.c.	1 x 1.0" neo, 1.75" v.c.
-	-	-	-
2 x 6.0" neo, 2.0" v.c.	2 x 10", 2.5" v.c.	2 x 8", 2.0" v.c.	2 x 6.0" neo, 2.0" v.c.
bal/unbal	bal/unbal	bal/unbal	bal/unbal
XLR, RDNet Ethercon	XLR	XLR	XLR
XLR, RDNet Ethercon	XLR	XLR	XLR
+4 dBu	-2 dBu/+4 dBu	-2 dBu/+4 dBu	+4 dBu
750	800 Hz	800 Hz	900 Hz
Thermal, RMS	Thermal, RMS	Thermal, RMS	Thermal, RMS
Soft Limiter	Soft Limiter	Soft Limiter	Soft Limiter
Preset, RDNet bypass	Cluster, HF, High curving, Indoor	Cluster, HF, High curving, Indoor	HF correction
2000 W Peak	1400 W Peak	1400 W Peak	1400 W Peak
600 W Peak	400 W Peak	400 W Peak	400 W Peak
-	-	-	-
1400 W Peak	1000 W Peak	1000 W Peak	1000 W Peak
Convection	Convection	Convection	Convection
Powercon IN/OUT	Powercon IN/OUT	Powercon IN/OUT	Powercon IN/OUT
FIRPHASE	-	-	FIRPHASE
RDNET	-	-	-
Yes	Yes	Yes	Yes
PP Composite	PP Composite	PP Composite	PP Composite
Array fittings	Rigging flyware	Rigging flyware	Array fittings
2 Back	2 side, 2 back	2 side	2 Back
Steel	Steel	Steel	Steel
Black, White	Black	Black, White	Black, White
237 mm / 9.33"	294 mm / 11.57"	294 mm / 11.57"	237 mm / 9.33"
470 mm / 18.5"	705 mm / 27.76"	569 mm / 22.4"	470 mm / 18.5"
377 mm / 14.84"	445 mm / 17.52"	434 mm / 17.09"	377 mm / 14.84"
13.5 kg / 29.76 lbs	30.2 kg / 66.58 lbs	20.4 kg / 44.97 lbs	11.6 kg / 25.57 lbs
13000588	-	-	-
13000606	-	-	-
-	13040007	13040016	13000496
-	13040008	13040017	13000509
-	-	13040022	13000514
-	-	13040023	13000515

HDL LINE ARRAY SYSTEM

ACCESSORIES

RIGGING	
FL-B HDL 50	13360334
Flybar for HDL 50-A 4K + 1x Pickup Tab with Shackle + Stacking Bar + Mounting Bracket for inclinometer. Pins included.	
FL-B PK TTL 55	13360127
Pickup Tab with Shackle for HDL 50-A 4K. To be added to the flybar when rigging with 2 motors. Pins included.	
FL-B LINK HDL 50-30	13360389
Link bar for HDL-50-A to HDL 30-A	
SAFETY CHAIN TTL 55	13360128
To be added to the flybar to provide a secondary safety (specially when the cluster is suspended with a single motor). 1 pcs for every Fly Bar suggested.	
HOIST SPACING CHAIN TTL 55	13360129
Hoist Connector Chain to distance the chain-hoist and the chain bag from the flybar. Designed for HDL 50-A 4K and HDL 30-A.	
FL-B PK HDL 30	13360394
Pickup Tab with Shackle for HDL 30-A and HDL 28-A. To be added to the flybar when rigging with 2 motors. Pins included.	
FL-B HDL 30	13360380
Flybar for HDL 30-A or HDL 38-AS + 1x Pickup Tab with Shackle + Stacking Bar + Mounting Bracket for inclinometer. Pins included.	
FL-B HDL 28	13360411
Flybar for HDL 28-A or HDL 36-AS + 1x Pickup Tab with Shackle + Stacking Bar + Mounting Bracket for inclinometer. Pins included.	
CL-BR HDL 6	13360371
Clamp Bracket for HDL 6-A and HDL 26-A	
FL-B HDL 6	13360360
FL-B HDL 6 W	13360373
Flybar for HDL 6-A; HDL 12-AS; HDL 26-A; HDL 35-AS + 1x Pickup Tab with Shackle + Stacking Bar + Pole Mount + M20 Adapter. Pins included.	
FL-B LINK HDL 6-12 2X	13360375
Link bar for HDL 6-A and HDL 12-AS; HDL 26-A and HDL 35-AS (two pieces)	
FL-B PK HDL 6	13360372
Pickup Tab with Shackle for HDL 6-A; HDL 12-AS; HDL 26-A; HDL 35-AS. To be added to the flybar when rigging with 2 motors. Pins included.	
AZM-BR 2X	13360351
To be added for horizontal array control	
FL-B LGT HDL 20	13360229
Flybar for HDL 20-A + Pole Mount + 1x Pickup Tab with Shackle + Stacking Bar. Pins included.	
FL-B PK HDL 20-18	13360221
Pickup Tab with Shackle for HDL 20-A and HDL 18-AS. To be added to the flybar when rigging with 2 motors. Pins included.	
FL-B LINK HDL 20-18 2X	13360225
Link bar for HDL 20-A and HDL 18-AS. Pins included. (two pieces).	
FL-B LGT HDL 10	13360276
FL-B LGT HDL 10 W	13360313
Flybar for HDL 10-A + Pole Mount + 1x Pickup Tab with Shackle + Stacking Bar. Pins included.	
FL-B HDL 10	13360274
FL-B HDL 10 W	13360314
Flybar for HDL 10-A + 1x Pickup Tab with Shackle + Stacking Bar. Pins included.	

RIGGING	
FL-B HDL 20-18	13360218
Flybar for HDL 20-A or HDL 18-AS + 1x Pickup Tab with Shackle + Stacking Bar. Pins included.	
FL-B LINK HDL 10-15 2X	13360296
Link bar for HDL 10-A and HDL 15-AS. Pins included. (two pieces).	
STACKING	
PM-KIT 3X HDL 6	13360377
Pole mount kit for 3 HDL 6-A or 3 HDL 26-A. Pins included. + Stacking Bar	
STCK-KIT 2X HDL 30	13360393
Stacking kit for HDL 30-A, HDL 28, HDL 20-A and HDL 10-A. Pins included.	
AC PMA	13360034
Speaker pole mount.	
PM-KIT M20	13360067
Adjustable pole for subwoofer.	
AC PMX	13360232
Speaker pole mount with pushbutton system and hand crank to avoid uncontrolled reverse motion. Locking screw provides additional safety.	
TRANSPORTATION	
KRT-WH 4X HDL 50	13360336
HDL 50-A 4K transportation kart for 4 modules	
KRT-WH 4X HDL 30	13360382
Kart with wheels for 4 HDL 30-A	
KRT-WH 4X HDL 28	13360412
Kart with wheels for 4 HDL 28-A	
KRT-WH 4X HDL 20	13360223
The heavy duty RCF KART HDL20 can be use to easily transport up to 4 HDL 20-A cabinets. - 4 wheels included.	
KRT-WH 4X HDL 10	13360275
The heavy duty RCF KART HDL10 can be use to easily transport up to 4 HDL 10-A cabinets. - 4 wheels included.	
KRT-WH 6X HDL 6	13360366
Cart to store and transport up to 6 modules for HDL 6-A or HDL 26-A or HL 6.	
WH PRO 4X	13360238
Kit 4 swivel castor 100mm wheels with roller bearing	
RAIN COVERS	
RP 1X HDL 50	13360337
Set of 2x rain covers to protect HDL 50-A 4K input boards	
RP 1X HDL 30	13360388
Set of 2x rain covers to protect HDL 30-A, HDL 28-A and HDL 35-AS input boards	
RP 2X HDL 20	13360283
4 Rain cover for HDL 20-A and HDL 10-A	
RP 1X HDL 6	13360381
1 x Rain Cover for HDL 6 and HDL 26-A	
UPGRADES	
HDL 50 UPGRADE KIT 4K	12399061
This kit includes 2 stereo amplification modules assebled on an heatsink plate to upgrade the HDL 50-A to HDL 50-A 4K.	



QUICK LOCK PINS (4X)

QL-PIN D11.2 L31 4X 13360335

PRODUCT	p.n.	POSITION	TPOLOGY
HDL 50-A 4K	13000641	FRONT	LINK
HDL 50-A 4K	13000641	FRONT	LOCK

QL-PIN D12.6 L32 4X 13360340

PRODUCT	p.n.	POSITION	TPOLOGY
HDL 50-A 4K	13000641	REAR	LINK

QL-PIN D11.1 L44.5 4X 13360132

PRODUCT	p.n.	POSITION	TPOLOGY
FL-B HDL 50	13360334	FRONT	LINK

QL-PIN D9.6 L21.3 4X 13360219

PRODUCT	p.n.	POSITION	TPOLOGY
HDL 20-A	13040007	FRONT	LINK
HDL 20-A	13040007	FRONT	LOCK
HDL 18-AS	13040009	FRONT	LINK
HDL 10-A	13040016	FRONT	LINK
HDL 10-A	13040016	FRONT	LOCK
HDL 30-A	13000511	FRONT	LINK
HDL 30-A	13000511	FRONT	LOCK
HDL 36-AS	13000583	FRONT	LINK
HDL 36-AS	13000583	FRONT	LOCK
HDL 38-AS	13000580	FRONT	LINK
HDL 38-AS	13000580	FRONT	LOCK
HDL 28-A	13000579	FRONT	LINK
HDL 28-A	13000579	FRONT	LOCK
HDL 28-A W	13000605	FRONT	LINK
HDL 28-A W	13000605	FRONT	LOCK
HDL 6-A	13000496	FRONT	LINK
HDL 6-A	13000496	REAR	LINK
HDL 26-A	13000588	FRONT	LINK
HDL 26-A	13000588	REAR	LINK
HDL 12-AS	13000505	FRONT	LINK
HDL 12-AS	13000505	REAR	LINK
HDL 35-AS	13000575	FRONT	LINK
HDL 35-AS	13000575	REAR	LINK
FL-B NXL 24	13360278		LINK
FL-B NXL 44	13360345		LINK
FL-B LINK NXL 44	13360346		LINK
STCK-KIT NXL 44	13360347		LINK
FL-B HDL 6	13360360	FRONT	LINK

QUICK LOCK PINS (4X)

QL-PIN D9.6 L21.3 4X 13360219

PRODUCT	p.n.	POSITION	TPOLOGY
KRT-WH 6X HDL 6	13360366	FRONT	LINK
FL-B LINK HDL 6-12 2X	13360375		LINK
PM-KIT 3X HDL 6	13360377		LINK
KRT-WH 4X HDL 30	13360382	FRONT	LINK
KRT-WH 4X HDL 28	13360412	FRONT	LINK

QL-PIN D9.6 L26.9 4X 13360220

PRODUCT	p.n.	POSITION	TPOLOGY
HDL 20-A	13040007	REAR	LINK
HDL 30-A	13000511	REAR	LINK
HDL 28-A	13000579	REAR	LINK
HDL 28-A W	13000605	REAR	LINK
FL-B LINK HDL 20-18 2X	13360225		LINK
FL-B LINK HDL 10-15 2X	13360296		LINK
KRT-WH 4X HDL 20	13360223		LINK
KRT-WH 4X HDL 10	13360275		LINK
FL-B LGT HDL 20	13360229		LINK
FL-B LGT HDL 10	13360276		LINK
FL-B LINK NXL 24	13360279		LINK

QL-PIN D9.6 L31 4X 13360222

PRODUCT	p.n.	POSITION	TPOLOGY
FL-B HDL 20-18	13360218	FRONT	LOCK
FL-B HDL 20-18	13360218	REAR	LINK
FL-B PK HDL 20-18	13360221		LINK
FL-B LINK HDL 20-18 2X	13360225		LINK
STCK-KIT SUB 8006	13360231		LINK
FL-B HDL 10	13360274	FRONT	LOCK
FL-B HDL 10	13360274	REAR	LINK
FL-B HDL 6	13360360	REAR	LINK
CL-BR HDL 6	13360371		LINK
FL-B PK HDL 6	13360372		LINK
FL-B HDL 30	13360380	FRONT	LOCK
FL-B HDL 30	13360380	REAR	LINK
FL-B HDL 28	13360411	FRONT	LOCK
FL-B HDL 28	13360411	REAR	LINK
STCK-KIT 2X HDL 30	13360393		LINK

HDL FLYABLE SUBWOOFERS

RCF subwoofers provide high SPL levels at very low frequencies, self-powered design, RDNet remote control and impressive size/weight to SPL output ratio.

HDL 38-AS

The HDL 38-AS is the ideal flyable bass complement for the HDL 30-A array system. It features one 4.0" voice coil, 18" Neodymium woofer to handle 136 dB SPL Max from 30 Hz to 140 Hz with the maximum linearity and low distortion. The HDL 38-AS is perfect to create flown systems for theatrical and indoor requirements. The built-in 3200W class-D amplifier delivers excellent playback clarity and up to 136 decibels SPL max. Due to its compatibility with RDNet - remote monitoring and control, the HDL 38-AS is part of the professional HDL System.

HDL 36-AS

The HDL 36-AS is the ideal flyable bass complement for the HDL 28-A array system. It features one 4.0" voice coil, 15" neodymium woofer to handle 135 dB SPL Max from 40 Hz to 140 Hz with the maximum linearity and low distortion. The built-in 3200 watts class-D amplifier delivers excellent playback clarity and up to 135 decibels SPL max. Due to its compatibility with RDNet - remote monitoring and control, the HDL 36-AS is part of the professional HDL System.

ACTIVE FLYABLE SUBWOOFER MODULE

- 136 dB Max SPL
- 3200W peak class-D Amplifier
- 30 ÷ 140 Hz frequency response
- 18" Neodymium Woofer, 4.0" voice coil
- **RDNET** remote monitoring and control
- Hardware compatible with the HDL 30-A

ACTIVE FLYABLE SUBWOOFER MODULE

- 135 dB Max SPL
- 3200W Class-D Amplifier
- 40 ÷ 140 Hz frequency response
- 15" Neodymium Woofer, 4.0" voice coil
- **RDNET** remote monitoring and control
- Hardware compatible with the HDL 28-A





HDL 35-AS

The HDL 35-AS is the ideal flyable bass complement for the HDL 26-A array system. It features a baltic birch plywood cabinet housing one 4.0" voice coil, 15" Neodymium woofer to handle frequencies from 40 Hz to 140 Hz with the maximum linearity and lowest distortion. The 2200 Watts class-D amplifier onboard delivers excellent playback clarity and up to 134 decibels SPL max. Due to its compatibility with RDNNet - remote monitoring and control, the HDL 35-AS is part of the professional HDL System.

ACTIVE FLYABLE SUBWOOFER MODULE

- 134 dB Max SPL
- 2200W Class-D Amplifier
- 40 ÷ 140 Hz frequency response
- 1x15" Neodymium Woofer, 4.0" voice coil
- **RDN**ET remote monitoring and control
- Hardware compatible with the HDL 26-A

HDL 12-AS

The HDL 12-AS is the companion subwoofer for HDL 6-A. Housing a 12" woofer, the HDL 12-AS, is a very compact active sub enclosure and features a 1400 W powerful digital amplifier. It is the ideal complement to create flown HDL 6-A clusters with outstanding performance. It features a built-in digital stereo crossover (DSP) with adjustable crossover frequency to connect the HDL 6-A line array module or a satellite. The integrated mechanics are both fast and reliable. The heavy-duty front grille is power coated. A special transparent-to-sound foam backing inside helps the further protection of the transducers from dust.

ACTIVE FLYABLE SUBWOOFER MODULE

- 1400 Watt Peak power - 700 Watt RMS
- 131 dB max SPL
- 40 Hz - 120 Hz frequency response
- 1 x 12" Woofer
- Hardware compatible with the HDL 6-A



HDL FLYABLE SUBWOOFERS

The hardware is designed for an easy and fast setup. The heavy-duty front grille is powder-coated. A special transparent-to-sound foam backing helps to further protect the transducers from dust. For weatherproof capabilities, a rain cover is available.

FEATURES



	HDL 38-AS	HDL 36-AS	HDL 35-AS	HDL 12-AS
Acoustical specifications				
Frequency Response:	30 Hz ÷ 140 Hz	40 Hz ÷ 140 Hz	40 Hz ÷ 140 Hz	40 Hz ÷ 120 Hz
Max SPL @ 1m:	136 dB	135 dB	134 dB	131 dB
Transducers				
Woofer:	18" neo, 4.0" v.c.	15" neo, 4.0" v.c.	15" neo, 4.0" v.c.	12", 3.0" v.c.
Input/Output section				
Input signal:	bal/unbal	bal/unbal	bal/unbal	bal/unbal
Input connectors:	XLR, RDNet Ethercon	XLR, RDNet Ethercon	XLR, RDNet Ethercon	XLR
Output connectors:	XLR, RDNet Ethercon	XLR, RDNet Ethercon	XLR, RDNet Ethercon	XLR
Input sensitivity:	+4 dBu	+4 dBu	+4 dBu	-2 dBu/+4 dBu
Processor section				
Hi-Pass Frequencies:	-	-	-	40Hz
Low-Pass Frequencies:	-	-	-	80Hz, 110Hz
Protections:	Thermal, RMS	Thermal, RMS	Thermal, RMS	Thermal, RMS
Limiter:	Soft Limiter	Soft Limiter	Soft Limiter	Soft Limiter
Controls:	Volume, Preset selection	Volume, Preset selection	Volume, Preset selection	Volume, EQ, Phase, Xover
Power section				
Total Power:	3200 W Peak	3200 W Peak	2200 W Peak	1400 W Peak
Low frequencies:	3200 W Peak	3200 W Peak	2200 W Peak	1400 W Peak
Cooling:	Convection	Convection	Convection	Convection
Connections:	Powercon IN/OUT	Powercon IN/OUT	Powercon IN/OUT	Powercon IN/OUT
RCF Technology	RDNET	RDNET	RDNET	-
Standard compliance				
CE marking:	Yes	Yes	Yes	Yes
Physical specifications				
Cabinet/Case Material:	Baltic birch plywood	Baltic birch plywood	Baltic birch plywood	Baltic birch plywood
Line array module compatible:	HDL 30-A	HDL 28-A	HDL 26-A	HDL 6-A
Hardware:	Array fittings, 1 x M20	Array fittings, 1 x M20	Array fittings, 1 x M20	Array fittings, 1 x M20
Handles:	2 Side	2 Side	2 Side	2 side
Grille:	Steel	Steel	Steel	Steel
Color:	Black	Black	Black, White	Black
Size				
Height:	502 mm / 19.76"	467 mm / 18.39"	444 mm / 17.48"	379 mm / 14.92"
Width:	700 mm / 27.56"	555 mm / 21.85"	456 mm / 17.95"	470 mm / 18.5"
Depth:	621 mm / 24.45"	593 mm / 23.35"	508 mm / 20"	508 mm / 20"
Weight:	48.7 kg / 107.36 lbs	37 kg / 81.57 lbs	30 kg / 66.14 lbs	25 kg / 55.12 lbs
PART NUMBER				
90-240 V Black	13000580	13000583	13000575	-
90-240 V White	-	-	13000664	-
220-240V Black	-	-	-	13000505
115V Black	-	-	-	13000510



ACCESSORIES

RIGGING

FL-B HDL 30	13360380
Flybar for HDL 30-A or HDL 38-AS + 1x Pickup Tab with Shackle + Stacking Bar + Mounting Bracket for inclinometer. Pins included.	
FL-B PK HDL 30	13360394
Pickup Tab with Shackle for HDL 30-A and HDL 28-A. To be added to the flybar when rigging with 2 motors. Pins included.	
FL-B HDL 28	13360411
Flybar for HDL 28-A or HDL 36-AS + 1x Pickup Tab with Shackle + Stacking Bar + Mounting Bracket for inclinometer. Pins included.	
FL-B HDL 6	13360360
FL-B HDL 6 W	13360373
Flybar for HDL 6-A; HDL 12-AS; HDL 26-A; HDL 35-AS + 1x Pickup Tab with Shackle + Stacking Bar + Pole Mount + M20 Adapter. Pins included.	
FL-B LINK HDL 6-12 2X	13360375
Link bar for HDL 6-A and HDL 12-AS; HDL 26-A and HDL 35-AS (two pieces)	
FL-B PK HDL 6	13360372
Pickup Tab with Shackle for HDL 6-A; HDL 12-AS; HDL 26-A; HDL 35-AS. To be added to the flybar when rigging with 2 motors. Pins included.	
CL-BR HDL 6	13360371
Clamp Bracket for HDL 6-A, HDL 26-A, HL 6 and HL 35-S.	
AZM-BR 2X	13360351
To be added for horizontal array control	

STACKING

PM-KIT 3X HDL 6	13360377
Pole mount kit for 3 HDL 6-A or 3 HDL 26-A. Pins included. + Stacking Bar	
STCK-KIT 2X HDL 30	13360393
Stacking kit for HDL 30-A, HDL 28, HDL 20-A and HDL 10-A. Pins included.	

STACKING

AC PMA	13360034
Speaker pole mount.	
PM-KIT M20	13360067
Adjustable pole for subwoofer.	
AC PMX	13360232
Speaker pole mount with pushbutton system and hand crank to avoid uncontrolled reverse motion. Locking screw provides additional safety.	

TRANSPORTATION

KRT-WH 3X HDL 38	13360336
Cart with wheels for 3 HDL 38	
KRT-WH 3X HDL 36	13360431
The heavy-duty RCF KART can safely transport up to 3 cabinets. 4 wheels included.	

COVERS

CVR 3X HDL 38	13360433
Padded Cover for three piece of HDL 38. It features heavy-duty polyester outer fabric, foam rubber padding, and zip openings.	
CVR 3X HDL 36	13360434
Padded Cover for 3 pieces of HDL 36-AS on a cart. It features heavy-duty polyester outer fabric, foam rubber padding, and zip openings with Velcro fasteners.	

RAIN COVERS

RP 1X HDL 30	13360388
Set of 2x rain covers to protect HDL 30-A, HDL 28-A and HDL 35-AS input boards	

NX COLUMN ARRAYS

NX modular line-source active speaker systems are specifically designed for rental companies, professional DJs, and musicians but also intended for permanent installation. Their sleek and innovative design commands an incredible size-to-power ratio, featuring powerful amplifiers, full onboard DSP, and a complete set of rigging accessories.

LINE ARRAY PERFORMANCE AND COVERAGE

The vertically asymmetrical horn design accurately projects the sound energy and avoids unwanted reflections when placed on a sub or a speaker stand, without tilting the enclosure. This design also allows configuring two cascading NXL columns for optimal coverage.

ALL IN ONE SOLUTION

Designed as the ideal sound system for the day-to-day live event, the NX Column Series packs a variety of features for professional users. With the best size to power ratio in its class, advanced DSP, and equipped with multiple rigging points, the NX Column Series is a solid and reliable choice. RCF products represent the 70-year commitment to excellence in manufacturing, precise and careful assembly, and extensive quality control procedures.

ACTIVE TWO-WAY COLUMN ARRAYS

- Up to 135 dB Sound Pressure Level
- 2100W Class-D Amplifier
- Up to 60÷20000 Hz linear frequency response
- 3" Titanium Neodymium Compression Driver
- 800 Hz Crossover Frequency
- M8 Rigging Points and Quick Lock
- Bass Motion Control and FIRPHASE processing

Intelligibility is significantly increased in challenging acoustic environments. The speaker delivers an extended low-frequency range that is increased when paired with a subwoofer for medium-sized concerts and DJ sets.

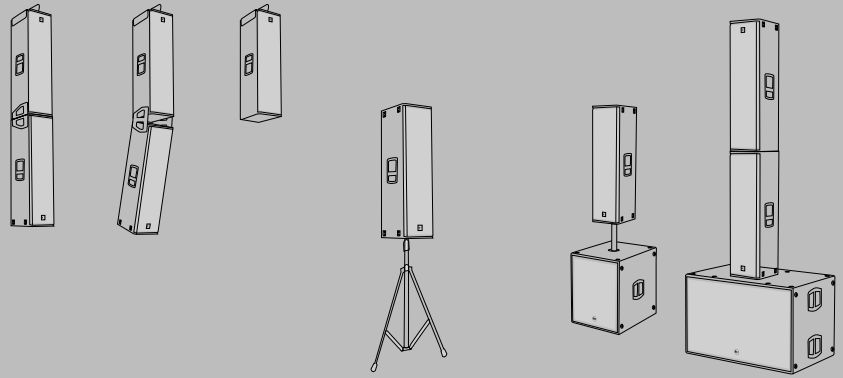
ENGAGE YOUR AUDIENCE

Based on RCF precision transducers and wooden cabinets, the NX Column Series is the RCF's most flexible active speaker system when the need for deploying high-power and pristine sound for live events is required. With its streamlined design and small footprint, the NX Column Series provides a powerful sound system when the space for speakers is limited.



RAISING THE BAR OF SOUND

NX Column series consists of full-range column line array speakers ideal for high-powered portable and thanks to flexible rigging options make it for a wide range of sound applications.



FEATURES



	NXL 44-A MK2	NXW 44-A	NXL 24-A MK2
Acoustical specifications			
Frequency Response:	45 Hz ÷ 20 kHz	45 Hz ÷ 20 kHz	60 Hz ÷ 20 kHz
Max SPL @ 1m:	135 dB	135 dB	132 dB
Horizontal coverage angle	100°	100°	100°
Vertical coverage angle:	25°	50°	30°
Transducers			
Compression Driver:	1 x 1.4" neo, 3.0" v.c	1 x 1.4" neo, 3.0" v.c	1 x 1.4" neo, 3.0" v.c
Woofer:	3 x 10" neo, 2.5" v.c	3 x 10" neo, 2.5" v.c	4 x 6.0" neo, 1.5" v.c
Input/Output section			
Input signal:	bal/unbal	bal/unbal	bal/unbal
Input connectors:	Combo XLR/Jack	Combo XLR/Jack	Combo XLR/Jack
Output connectors:	XLR	XLR	XLR
Input sensitivity:	-2 dBu/+4 dBu	-2 dBu/+4 dBu	-2 dBu/+4 dBu
Processor section			
Crossover Frequencies:	800 Hz	800 Hz	800 Hz
Protections:	Thermal, Excurs., RMS	Thermal, Excurs., RMS	Thermal, Excurs., RMS
Limiter:	Soft Limiter	Soft Limiter	Soft Limiter
Controls:	Linear, 2 Speakers, High-Pass, Volume	Linear, 2 Speakers, High-Pass, Volume	Linear, 2 Speakers, High-Pass, Volume
Power section			
Total Power:	2100 W Peak	2100 W Peak	2100 W Peak
High frequencies:	700 W Peak	700 W Peak	700 W Peak
Low frequencies:	1400 W Peak	1400 W Peak	1400 W Peak
Cooling:	Convection	Convection	Convection
Connections:	Powercon TRUE1 TOP IN/OUT	Powercon TRUE1 TOP IN/OUT	Powercon TRUE1 TOP IN/OUT
RCF Technology			
	FIRPHASE	FIRPHASE	FIRPHASE
	Bass Motion Control	Bass Motion Control	Bass Motion Control
Standard compliance			
CE marking:	Yes		
Physical specifications			
Cabinet/Case Material:	Baltic birch plywood	Baltic birch plywood	Baltic birch plywood
Hardware:	8 x M8, 8 x quick lock	8 x M8, 8 x quick lock	4 x M8, 4 x quick lock
Handles:	2 side	2 side	2 side
Pole mount/Cap:	Yes	Yes	Yes
Grille:	Steel	Steel	Steel
Color:	Black	Black	Black
Size			
Height:	1080 mm / 42.52"	1080 mm / 42.52"	1056 mm / 41.57"
Width:	297.5 mm / 11.71"	297.5 mm / 11.71"	201 mm / 7.91"
Depth:	373 mm / 14.69"	373 mm / 14.69"	274 mm / 10.79"
Weight:	33.4 kg / 73.63 lbs	31.55 kg / 69.56 lbs	24.4 kg / 53.79 lbs
Part Number			
220-240 V	13000609	13000805	13000610
100-120 V	13000756	13000806	13000751

ACCESSORIES

RIGGING

FL-B NXL 44	13360345
Fly bar kit for NX L44-A.	
FL-B LINK NXL 44	13360346
Accessory to link a second NXL 44-A to a flying NXL 44-A (straight or 2 angles).	
FL-B NXL 24	13360278
Fly bar kit for NX L24-A.	
FL-B LINK NXL 24	13360279
Accessory to link a second NXL24 to a flying NXL 24-A (straight or 2 angles).	

STACKING

STCK-KIT NXL 44	13360347
Accessory for stacking 2 NXL 44-A on SUB 8006 or 8004 (or M20 pole).	
PM-KIT NXL 24	13360280
Adjustable pole accessory for stacking NXL 24-A on SUB 8004 (or M20 pole).	
STCK-KIT NXL 24	13360281
Accessory for stacking 2 NXL 24-A on SUB 8006 or 8004 (or M20 pole).	
PM-KIT M20	13360067
Adjustable pole for subwoofer.	
AC PMA	13360034
Speaker pole mount.	

AC PMX	13360232
Speaker pole mount with pushbutton system and hand crank to avoid uncontrolled reverse motion. Locking screw provides additional safety.	
AC PRO-FS	13360109
Steel speaker floor stand with folding base and telescopic rod. Tube diameter 35mm. Load capacity up to 50kg.	
AC PRO-PM	13360110
Steel speaker pole mount with telescopic rod, tube diameter 35mm. Height adjustment using a non-scratching locking screw and safety pin. Moveable plastic splints separate the speaker from the stand creating a vibration-free connection. Easy to use ring lock.	

COVER

RP 001	13360515
2 x Rain Cover for NX Column.	

HDM 45-A

The HDM 45-A speaker boosts the performance with a top-quality two-channel amplifier, RNet networked management, RCF precision transducers, FIRPHASE processing, and a rugged composite cabinet. The HDM concept is inspired by the touring industry, packing the maximum reliability and delivering clear, detailed sound with low distortion and fast transient response. Perfect as a main PA system, high-powered floor monitor, or unobtrusive infill speaker when combined with RCF HDL line array modules.

RENTAL PROOF

D LINE cabinets are molded with a special polypropylene composite material designed to dampen vibrations even at maximum volume settings. From molding to the final texture, D-LINE offers maximum reliability and strength for intensive use on the road. The advanced

vented architecture offer high efficiency and low distortion. The speaker is equipped with a top handle and two side handles with rubber handgrips for greater portability.

SUPERIOR COMPRESSION DRIVER

The ND940 Compression Driver in pure Titanium with a 4 inches voice coil allows a crossover point at only 650 Hz. This allows a better impulse response, fast decay and superior efficiency. Lightweight and powerful, RCF neodymium drivers are a reference in performance and reliability.

POTENT WOOFER

The low-frequency transducer is a high-power 15" neodymium woofer with a 3.5" voice coil, delivering a punchy bass. Reproduction of the mid-bass frequencies is accurate, transparent and free from distortion.

ACTIVE TWO-WAY PROFESSIONAL SPEAKER

- 133 dB Max SPL
- 2200 Watts two-way power
- Innovative DSP Processing with FIRPHASE
- 650 Hz crossover point for perfect vocal reproduction
- 15" Neodymium Woofer, 3.5" v.c.
- 1.5" Titanium Compression Driver, 4.0" v.c. Neodymium
- 90°x60°, wide dispersion constant directivity horn
- **RNET** compatible
- Silent Fanless Class-D Amplifier
- Ultra-Light weight





FEATURES

HDM 45-A

Acoustical specifications		
Frequency Response:	45 Hz ÷ 20000 Hz	
Max SPL @ 1m:	133 dB	
Horizontal coverage angle	90°	
Vertical coverage angle:	60°	
Transducers		
Compression Driver:	1.5" neo, 4.0" v.c.	
Woofer:	15" neo, 3.5" v.c.	
Input/Output section		
Input signal:	bal/unbal	
Input connectors:	XLR, RDNet Ethercon	
Output connectors:	XLR, RDNet Ethercon	
Input sensitivity:	-2 dBu/+4 dBu	
Mic. Input Sensitivity:	-32 dBu	
Processor section		
Crossover Frequencies:	650 Hz	
Protections:	Thermal, HF	
Limiter:	Fast Limiter	
Controls:	proces., 8 sel. presets	
Power section		
Total Power:	2200 W Peak	
High frequencies:	600 W Peak	
Low frequencies:	1600 W Peak	
Cooling:	Convection	
Connections:	Powercon IN/OUT	
RCF Technology		
FIRPHASE		
RDNET		
Standard compliance		
CE marking:	Yes	
Physical specifications		
Cabinet/Case Material:	PP Composite	
Hardware:	1 x M10 top, 1 x M10 bottom, 2 x M10 side	
Handles:	1 Top, 2 Side	
Pole mount/Cap:	Yes	
Grille:	Steel	
Color:	Black	
Size		
Height:	714 mm / 28.11"	
Width:	442 mm / 17.4"	
Depth:	397 mm / 15.63"	
Weight:	22 kg / 48.5 lbs	
PART NUMBER		
90-240 V	EU	13000593
90-240 V	US	13000665

ACCESSORIES

STACKING

AC PMA | 13360034

Speaker pole mount.

PM-KIT M20 | 13360067

Adjustable pole for subwoofer.

AC PMX | 13360232

Speaker pole mount with pushbutton system and hand crank to avoid uncontrolled reverse motion. Locking screw provides additional safety.

AC PRO-FS | 13360109

Steel speaker floor stand with folding base and telescopic rod. Tube diameter 35mm. Load capacity up to 50kg.

AC PRO-PM | 13360110

Steel speaker pole mount with telescopic rod, tube diameter 35mm. Height adjustment using a non-scratching locking screw and safety pin. Moveable plastic splints separate the speaker from the stand creating a vibration-free connection. Easy to use ring lock.

AC PRO-LF | 13360111

Professional adapter sleeve for loudspeaker floor stand. Rod: steel, powder coated (colour: black). Ring lock: aluminium. Mandrel elements: polyamide (PA). Screw: steel, galvanised. Tube diameter 35mm. Load capacity up to 50kg.

RIGGING

AC EB 4X | 13360031

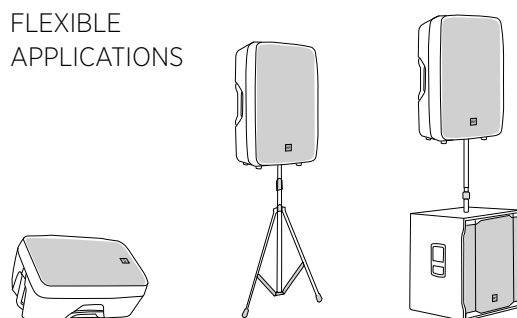
kit including 4 pcs M10 eye bolts.

COVER

CVR HD 15 | 13360438

CVR HD 15 Padded Cover for 15" HD Two-Way Active Speaker. It features heavy-duty polyester outer fabric, foam rubber padding, and zip openings with Velcro fasteners.

FLEXIBLE APPLICATIONS



NX 9 SERIES

With 2100 W power, the 2-channel NX 9 Class-D amplifier is 50% more powerful than previous models, able to manage extreme sound pressure levels with an ultra-fast attack, realistic transient response, and very low heat loss.

A NEW STANDARD IN PORTABLE SOUND

The NX 9 series is masterfully engineered to deliver stellar audio performances for solo musicians, bands, and DJs. The new bi-amplified 2100W electroacoustic design provides impressive sound pressure levels, also when used in open-air applications and at long distances, with unbeatable sound quality. The combination of purpose-designed

transducers, advanced DSP processing, and a constant directivity waveguide produces coherent coverage to the listening area with distortion-free sound and RCF reliability. Durably built in a rugged all-wood cabinet, NX 9 is tour-ready, and delivers remarkable audio performance and versatility to any professional audio application.

TOUR-PROVEN WORKHORSE

NX 9 can operate as either the main system or as a floor monitor. This flexibility makes it a smart choice for a wide range of live sound applications. The rugged all-wood cabinet is easy to carry, thanks to handles on both sides (one on top for NX 910-A). The lower side includes a steel pole socket for mounting on a stand or a subwoofer

pole. Each model can also be flown, wall- or truss-mounted using the six included M10 rigging points and special accessories. From the wood cabinet to the final texture and the rugged protective grille, NX 9 offers maximum strength for intensive use on the road and can be used for fixed installation.

PROFESSIONAL ACTIVE SPEAKERS

- Up to 138 dB Sound Pressure Level
- 2100W Class-D Bi-Amplification
- Up to 50 ÷ 20000 Hz linear frequency response
- Wide 100° x 60° Constant Directivity
- 1600 Hz Crossover Frequency
- 1.75" Compression Driver
- FiRPHASE zero degrees phase technology
- Bass Motion Control woofer excursion management



*the next generation
of sound*

SUPERIOR TRANSDUCERS

Lightweight and powerful, RCF drivers are a reference in high performance. All transducers are designed by RCF engineers in Italy for maximum reliability and perfectly matched components. The new 1.75" voice coil design with Polyimide-Kapton dome features a new bonding technology and reinforcement ribs making it 10 times more

rigid than previous models, for increased accuracy and durability. The redesigned phase plug increases sound clarity with less distortion. Low-frequency transducer design gains more stability over higher currents, with less distortion and better heat handling.

The midrange section (only NX 985-A) adds detail and vocal clarity with a high-power 8" cone midrange on a constant directivity waveguide.



NX 9 SERIES

The NX 9 series is masterfully engineered to deliver stellar audio performances for solo musicians, bands, and DJs.

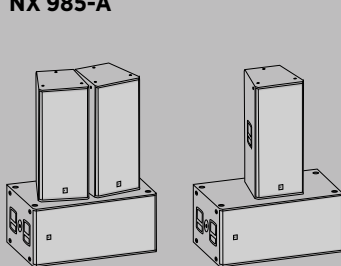
FEATURES



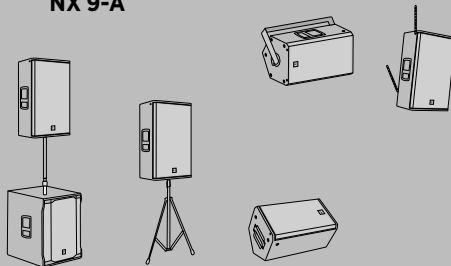
	NX 985-A	NX 915-A	NX 912-A	NX 910-A
Acoustical specifications				
Frequency Response:	40 Hz ÷ 20 kHz	45 Hz ÷ 20 kHz	50 Hz ÷ 20 kHz	50 Hz ÷ 20 kHz
Max SPL @ 1m:	138 dB	131 dB	130 dB	130 dB
Horizontal coverage angle:	100°	100°	100°	100°
Vertical coverage angle:	60°	60°	60°	70°
Transducers				
Compression Driver:	1" neo, 1.75" v.c.	1", 1.75" v.c.	1", 1.75" v.c.	1", 1.75" v.c.
Midrange:	8" neo, 2.5" v.c.	-	-	-
Woofers:	15", 3" v.c.	15", 2.5" v.c.	12", 2.5" v.c.	10", 2.5" v.c.
Input/Output section				
Input signal:	bal/unbal	bal/unbal	bal/unbal	bal/unbal
Input connectors:	Combo XLR/Jack	XLR, Jack	XLR, Jack	XLR, Jack
Output connectors:	XLR	XLR	XLR	XLR
Input sensitivity:	-2 dBu/+4 dBu	-2 dBu/+4 dBu	-2 dBu/+4 dBu	-2 dBu/+4 dBu
Processor section				
Crossover Frequencies:	Bass/Mid:320Hz, Mid/High:1200Hz	1600 Hz	1600 Hz	1600 Hz
Protections:	Thermal, Excurs., RMS	Thermal, RMS	Thermal, RMS	Thermal, RMS
Limiters:	Soft Limiter	Soft Limiter	Soft Limiter	Soft Limiter
Controls:	Linear, 2 Speakers, High Pass, Volume	Linear, Boost, Stage, Volume	Linear, Boost, Stage, Volume	Linear, Boost, Stage, Volume
Power section				
Total Power:	2100 W Peak	2100 W Peak	2100 W Peak	2100 W Peak
High frequencies:	200 W Peak	700 W Peak	700 W Peak	700 W Peak
Mid frequencies:	500 W Peak	-	-	-
Low frequencies:	1400 W Peak	1400 W Peak	1400 W Peak	1400 W Peak
Cooling:	Convection	Convection	Convection	Convection
Connections:	Powercon TRUE1 TOP IN/OUT	VDE	VDE	VDE
RCF Technology				
	FWRPHASE	FWRPHASE	FWRPHASE	FWRPHASE
	BASS MOTION CONTROL	BASS MOTION CONTROL	BASS MOTION CONTROL	BASS MOTION CONTROL
Standard compliance				
CE marking:	Yes	Yes	Yes	Yes
Physical specifications				
Cabinet/Case Material:	Plywood	Plywood	Plywood	Plywood
Hardware:	2XM10 Top, 1XM10 each side, 1XM10 bottom, 1XM10 rear	2XM10 Top, 1XM10 each side, 1XM10 bottom, 1XM10 rear	2XM10 Top, 1XM10 each side, 1XM10 bottom, 1XM10 rear	2XM10 Top, 1XM10 each side, 1XM10 bottom, 1XM10 rear
Handles:	1 x Side	1 x Each Side	1 x Side	1 Top
Pole mount/Cap:	-	Yes	Yes	Yes
Grille:	Steel	Steel	Steel	Steel
Color:	Black	Black	Black	Black
Size				
Height:	1075 mm / 42.32"	705 mm / 27.76"	620 mm / 24.41"	510 mm / 20.08"
Width:	461 mm / 18.15"	420 mm / 16.54"	362 mm / 14.25"	295 mm / 11.61"
Depth:	475 mm / 18.7"	451 mm / 17.76"	405 mm / 15.94"	333 mm / 13.11"
Weight:	38.9 kg / 85.76 lbs	24.1 kg / 53.13 lbs	20.8 kg / 45.86 lbs	16.4 kg / 36.16 lbs
PART NUMBER				
220-240 V	13000743	13000674	13000673	13000668
100-120 V	13000757	13000690	13000689	13000688

Thanks to flexible rigging options make it for a wide range of sound applications.

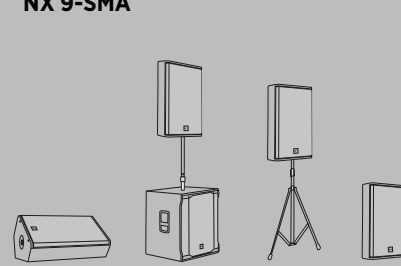
NX 985-A



NX 9-A



NX 9-SMA



ACCESSORIES

NX 915-SMA	NX 912-SMA
45 Hz ÷ 20000 Hz	50 Hz ÷ 20000 Hz
131 dB	130 dB
100°	100°
70°	70°
1", 1.75" v.c.	1", 1.75" v.c.
-	-
15", 2.5" v.c	12", 2.5" v.c
bal/unbal	bal/unbal
XLR, Jack	XLR, Jack
XLR	XLR
-2 dBu/+4 dBu	-2 dBu/+4 dBu
1600 Hz	1600 Hz
1600 Hz	1600 Hz
Thermal, RMS	Thermal, RMS
Soft Limiter	Soft Limiter
-	-
2100 W Peak	2100 W Peak
700 W Peak	700 W Peak
-	-
1400 W Peak	1400 W Peak
Convection	Convection
Powercon TRUE1 TOP IN/OUT	Powercon TRUE1 TOP IN/OUT
FIRPHASE	FIRPHASE
BASS MOTION CONTROL	BASS MOTION CONTROL
Yes	Yes
Plywood	Plywood
-	-
1 on side and 1 on top	1 on side and 1 on top
Yes	Yes
Steel	Steel
Black	Black
357.3 mm / 14.07"	320 mm / 12.6"
705 mm / 27.76"	620 mm / 24.41"
456.6 mm / 17.98"	394 mm / 15.51"
17.3 kg / 38.14 lbs	20 kg / 44.09 lbs
13000785	13000783
13000786	13000784

RIGGING

2X PLATE H-BR NX 910-912-915

13360506

This accessory is required when using the following horizontal wall mounting brackets with NX series speakers: - H-BR 2X COMPACT M 10 with NX 910-A speakers; - H-BR 2X COMPACT M 12 with NX 912-A speakers; - H-BR 2X COMPACT C 45 with NX 915-A speakers.

STACKING

AC PRO-FS

13360109

Steel speaker floor stand with folding base and telescopic rod. Tube diameter 35mm. Load capacity up to 50kg.

AC PRO-PM

13360110

Steel speaker pole mount with telescopic rod, tube diameter 35mm. Height adjustment using a non-scratching locking screw and safety pin. Moveable plastic splints separate the speaker from the stand creating a vibration-free connection. Easy to use ring lock.

AC PRO-LF

13360111

Professional adapter sleeve for loudspeaker floor stand. Rod: steel, powder coated (colour: black). Ring lock: aluminium. Mandrel elements: polyamide (PA). Screw: steel, galvanised. Tube diameter 35mm. Load capacity up to 50kg.

PM-KIT M20

13360067

Adjustable pole for subwoofer.

AC PMA

13360034

Speaker pole mount.

AC PMX

13360232

Speaker pole mount with pushbutton system and hand crank to avoid uncontrolled reverse motion. Locking screw provides additional safety.

AC EB 4X

13360031

kit including 4 pcs M10 eye bolts.

COVERS

CVR NX 985

13360517

Padded Cover for NX 985-A.

CVR NX 915

13360497

Padded Cover for NX 915-A.

CVR NX 912

13360496

Padded Cover for NX 912-A.

CVR NX 910

13360495

Padded Cover for NX 910-A.

PROTECTION

RP 001

13360515

2 x Rain Cover for input amplifier protection for NX 915-SMA and NX 912-SMA.

NX MULTIPURPOSE SPEAKERS

The NX 45-A and NX 32-A are active speakers specifically designed to be the everyday tool for rental companies and professional musicians. They are the most flexible speakers for deploying high-power and pristine sound as a stand-alone FOH system or as a satellite (with subwoofer) but either as a stage monitor or a front, down or side fill speaker.

SUPERIOR COMPRESSION DRIVERS

The RCF Compression Drivers in pure Titanium are perfect for a crossover point lower than 700 Hz. This allows a better impulse response, fast decay and superior efficiency. Lightweight and powerful, our neodymium drivers are a reference in performance and reliability. The voice coil features a high-temperature kapton former. The assembly

process takes advantage of the RCF proprietary Direct Drive technology. The diaphragm's suspension has been designed following extensive studies aimed at minimising distortion and extending low frequency range.



AMPLIFIER AND DSP

The two-way 1400 W amplifier features a solid machined aluminium structure, which not only stabilizes the amplifier during transportation but also assists in heat dissipation. The internal DSP has limiters and protections for the transducers and includes FIRPHASE filters to achieve a coherent distribution of sound without phase distortion. A single button shapes the sound for background music when the system plays at minimum volume levels.

ACTIVE TWO-WAY MULTIPURPOSE SPEAKERS

- Up to 133 dB Sound Pressure Level
- 1400 W 2-way class-D amplifier
- Up to 50÷20000 Hz linear frequency response
- 1.5" Neodymium Compression Driver
- 800 Hz Crossover Frequency
- Multiple rigging points
- FIRPHASE processing



NX 32-A





FEATURES



NX 45-A



NX 32-A

	NX 45-A	NX 32-A
Acoustical specifications		
Frequency Response:	45 Hz ÷ 20000 Hz	50 Hz ÷ 20000 Hz
Max SPL @ 1m:	133 dB	131 dB
Horizontal coverage angle:	90°	90°
Vertical coverage angle:	50°	60°
Transducers		
Compression Driver:	1.4" neo, 4.0" v.c.	1.4" neo, 3.0" v.c.
Woofer:	15" neo, 3.5" v.c.	12", 2.5" v.c.
Input/Output section		
Input signal:	bal/unbal	bal/unbal
Input connectors:	XRL, Jack	XRL, Jack
Output connectors:	XLR	XLR
Input sensitivity:	-2 dBu/+4 dBu	-2 dBu/+4 dBu
Input sensitivity:	-32 dBu	-32 dBu
Processor section		
Crossover Frequencies:	650 Hz	700 Hz
Protections:	Thermal, RMS	Thermal, RMS
Limiter:	Soft Limiter	Soft Limiter
Controls:	Volume, Boost, Mic/Line	Volume, boost, Mic/Line
Power section		
Total Power:	1400 W Peak	1400 W Peak
High frequencies:	400 W Peak	400 W Peak
Low frequencies:	1000 W Peak	1000 W Peak
Cooling:	Convection	Convection
Connections:	Powercon IN/OUT	Powercon IN/OUT
RCF Technology	FWRPHASE	FWRPHASE
Standard compliance		
CE marking:	Yes	Yes
Physical specifications		
Cabinet/Case Material:	Baltic birch plywood	Baltic birch plywood
Hardware:	5 x M10, 4 x quick lock	5 x M10, 4 x quick lock
Handles:	2 Side	2 Side
Pole mount/Cap:	Yes	Yes
Grille:	Steel	Steel
Color:	Black	Black
Size		
Height:	707 mm / 27.83"	600 mm / 23.62"
Width:	418 mm / 16.46"	365 mm / 14.37"
Depth:	402 mm / 15.83"	378 mm / 14.88"
Weight:	24 kg / 52.91 lbs	20.6 kg / 45.42 lbs
Part Number		
220-240 V	13000552	13000550
100-120 V	13000553	13000551

ACCESSORIES

RIGGING

V-BR TT 22 II	13360328
----------------------	----------

Bracket for vertical installation for NX 32-A.

STACKING

PM-KIT M20	13360067
-------------------	----------

Adjustable pole for subwoofer.

AC PMA	13360034
---------------	----------

Speaker pole mount.

AC PMX	13360232
---------------	----------

Speaker pole mount with pushbutton system and hand crank to avoid uncontrolled reverse motion. Locking screw provides additional safety.

AC PRO-FS	13360109
------------------	----------

Steel speaker floor stand with folding base and telescopic rod. Tube diameter 35mm. Load capacity up to 50kg.

AC PRO-PM	13360110
------------------	----------

Steel speaker pole mount with telescopic rod, tube diameter 35mm. Height adjustment using a non-scratching locking screw and safety pin. Moveable plastic splints separate the speaker from the stand creating a vibration-free connection. Easy to use ring lock.

AC EB 4X	13360031
-----------------	----------

kit including 4 pcs M10 eye bolts.

COVERS

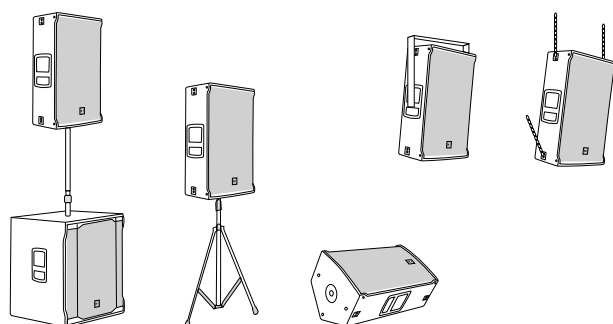
CVR NX 45	13360409
------------------	----------

Protection cover. It features heavy-duty polyester outer fabric, foam rubber padding, and zip openings with Velcro fasteners.

CVR NX 32	13360408
------------------	----------

Protection cover. It features heavy-duty polyester outer fabric, foam rubber padding, and zip openings with Velcro fasteners.

FLEXIBLE APPLICATIONS



STAGE MONITORS

A key requirement for everyday use as a stage monitor, main audio system, infill, or other applications.

NX STAGE MONITORS

All the NX Stage Monitors are provided with coaxial transducers which define excellent linearity and high efficiency. The RCF Coaxial Transducers radiate a coherent single spherical wave front with perfect dispersion control.

COAXIAL NEODYMIUM TRANSDUCERS

The newly designed coaxial neodymium transducers provide outstanding audio quality and definition as well as being extremely lightweight.

ACTIVE COAXIAL STAGE MONITOR

- Up to 1400 Watt Peak power
- Up to 130 dB max SPL
- 60° x 60° constant directivity horn
- 1.7 kapton dome, 1" exit, neodymium high frequency driver
- DSP processing, floor - free field equalization
- Combo xlr/jack input, xlr signal output



TWO SPECIAL EQUALIZATION MODES

RCF has incorporated two special Equalization Modes:- Floor, for stage monitoring; Free Field, for the use of the speakers as a stand-alone PA system.

ERGONOMIC HANDLE

Cabinets are made from Baltic Birch plywood, finished with an extremely resistant paint for extensive use on the road. An ergonomic side handle, integrated with the input panel, is provided for easy transport.





FEATURES



	NX 15-SMA	NX 12-SMA	NX 10-SMA
Acoustical specifications			
Frequency Response:	50 Hz ÷ 20000 Hz	50 Hz ÷ 20000 Hz	60 Hz ÷ 20000 Hz
Max SPL @ 1m:	130 dB	129 dB	127 dB
Horizontal coverage angle:	60°	60°	60°
Vertical coverage angle:	60°	60°	60°
Transducers			
Compression Driver:	Coaxial 1.0" neo, 1.75" v.c.	Coaxial 1.0" neo, 1.75" v.c.	Coaxial 1.0" neo, 1.75" v.c.
Woofers:	Coaxial 15" neo, 2.5" v.c.	12" neo, 2.5" v.c.	10" neo, 2.5" v.c.
Input/Output section			
Input signal:	bal/unbal	bal/unbal	bal/unbal
Input connectors:	XRL, Jack	XRL, Jack	XRL, Jack
Output connectors:	XLR	XLR	XLR
Input sensitivity:	+4 dBu	+4 dBu	+4 dBu
Processor section			
Crossover Frequencies:	1700 Hz	-	-
Protections:	RMS, HF	RMS, HF	RMS, HF
Limiters:	Soft Limiter	Soft Limiter	Soft Limiter
Controls:	Freefield, floor	Freefield, floor	Freefield, Floor
Power section			
Total Power:	1400 W Peak	1400 W Peak	800 W Peak
High frequencies:	400 W Peak	400 W Peak	200 W Peak
Low frequencies:	1000 W Peak	1000 W Peak	600 W Peak
Cooling:	Convection	Convection	Convection
Connections:	Powercon IN/OUT	Powercon IN/OUT	Powercon IN/OUT
RCF Technology			
	-	-	-
	-	-	-
Standard compliance			
Safety agency:	CE compliant	CE compliant	CE compliant
Physical specifications			
Cabinet/Case Material:	Baltic birch plywood	Baltic birch plywood	Baltic birch plywood
Handles:	1 on side	1 on side	1 on side
Pole mount/Cap:	Yes	Yes	Yes
Grille:	Steel	Steel	Steel
Color:	Black	Black	Black
Size			
Height:	362 mm / 14.25"	324 mm / 12.76"	324 mm / 12.76"
Width:	650 mm / 25.59"	550 mm / 21.65"	450 mm / 17.72"
Depth:	468 mm / 18.43"	417 mm / 16.42"	417 mm / 16.42"
Weight:	20.2 kg / 44.53 lbs	16.6 kg / 36.6 lbs	14.3 kg / 31.53 lbs
PART NUMBER			
220-240 V	13000260	13000235	13000233
100-120 V	13000261	13000236	13000234

ACCESSORIES

STACKING

PM-KIT M20 | 13360067

Adjustable pole for subwoofer.

AC PMA | 13360034

Speaker pole mount.

AC PMX | 13360232

Speaker pole mount with pushbutton system and hand crank to avoid uncontrolled reverse motion. Locking screw provides additional safety.

AC PRO-FS | 13360109

Steel speaker floor stand with folding base and telescopic rod. Tube diameter 35mm. Load capacity up to 50kg.

AC PRO-PM | 13360110

Steel speaker pole mount with telescopic rod, tube diameter 35mm. Height adjustment using a non-scratching locking screw and safety pin. Moveable plastic splints separate the speaker from the stand creating a vibration-free connection. Easy to use ring lock.

COVERS

CVR NX15-SMA | 13360174

Protection cover. It features heavy-duty polyester outer fabric, foam rubber padding, and zip openings with Velcro fasteners.

CVR NX12-SMA | 13360168

Protection cover. It features heavy-duty polyester outer fabric, foam rubber padding, and zip openings with Velcro fasteners.

CVR NX10-SMA | 13360167

Protection cover. It features heavy-duty polyester outer fabric, foam rubber padding, and zip openings with Velcro fasteners.

RP 001 | 13360515

2 x Rain Cover for input amplifier protection for NX 915-SMA and NX 912-SMA.

SUBWOOFERS SERIES

RCF subwoofers provide the best low-frequency extension for your speakers, offering the maximum flexibility to tailor your PA system to your needs. Featuring strong Baltic birch construction, high quality mechanics, superior acoustic design and premium RCF Precision low frequency transducers, the SUB Series represents the perfect complement for any portable sound reinforcement system.

SUB 9007-AS

The SUB 9007-AS is one of the most powerful 2x21" subwoofers in the field of live sound. Featuring two, high power, hyper-vented 21" neodymium woofers with 4.0" inside-outside voice coils, this cabinet deliver a serious amount of low frequencies. Powered by a 7200 W digital amplifier, the SUB 9007-AS can perform in the most demanding situations.

SUB 9006-AS

The SUB 9006-AS is one of the most powerful 2x18" subwoofers in the field of live sound. Featuring two high-power hyper-vented 18" neodymium woofers with 4.0" inside-outside voice coils, this cabinet delivers a serious amount of low frequencies. Powered by a 7200 W digital amplifier, the SUB 9006-AS can perform in the most demanding situations.

NEODYMIUM WOOFERS

The new custom transducers join the ultimate power performance to an incredible light weight. RCF manufacture these components to deliver the cleanest, punchiest and undistorted low frequencies reproduction. In order to dissipate the heat generated by the powerful 4.0" voice coil, RCF engineers have developed a unique ventilation system that offers the best thermal dissipation and the lowest power compression.

HYPER VENTILATION SYSTEM

In order to dissipate the heat generated by the powerful voice coil, RCF engineers have developed the unique Hyper Ventilation system with very low power compression. The cone is water resistant.

ACTIVE HIGH POWER SUBWOOFER

- 7200 Watt Peak power
- 141 dB max SPL
- 20 Hz ÷ 400 Hz frequency response
- 2 x 21" Woofer
- DSP controlled Input section with selectable presets
- **RDNET** remote monitoring and control
- Delay control

ACTIVE HIGH POWER SUBWOOFER

- 7200 Watt Peak power
- 142 dB max SPL
- 30 Hz ÷ 400 Hz frequency response
- 2 x 18" Woofer
- DSP controlled Input section with selectable presets
- **RDNET** remote monitoring and control
- Delay control





SUB 9004-AS

The SUB 9004-AS is a single 18" high power active subwoofer. It employs a state of the art transducer featuring a hyperventilated high power neodymium magnetic circuit with 4" voice coil. The extremely high power amplifier is a new design that delivers extended low frequency performance. Due to its rugged construction it is perfect for AV rental inventories.

TOP END ELECTRONICS

The amplifier integrates a low-noise 32-bit DSP circuit, controlled through the RCF proprietary RNet network to easily handle the soft clipping limiters, RMS limits, polarity, amplitude, timing and equalisation. All the settings, monitoring and advanced features are available inside the RNet Networked Management software.

ACTIVE HIGH POWER SUBWOOFER

- 2800 W power rating
- 136 dB SPL Max
- 30 ÷ 400 Hz Frequency Range
- 18" Hyper Ventilation Neodymium Subwoofer
- DSP Controlled Input Section with selectable presets
- **RNET** remote monitoring and control
- Delay control

SUB 8008-AS

The SUB 8008-AS is a double 18" high power active subwoofer for live bands, DJs, Clubs, and Rental Companies. It employs a state-of-the-art transducer featuring a high-power ceramic magnetic circuit with a 4" voice coil. The power amplifier manages extreme currents up to 4400W delivering sound pressure levels up to 137 dB with exceptional headroom. The ultra-fast attack with accurate power handling is managed with high efficiency, producing a very low heat loss for silent and fan-less cooling. Built specifically for demanding live sound applications with deep, powerful bass response.

Rear panel controls include 12 presets, crossover frequency, polarity switch, Deep/Punch selection, cardioid, and output delay settings. The tour-ready, rugged all-wood cabinet with scratch-resistant polyurea coating is easy to carry and secure for installation. With its rugged construction, sound quality, and high power, SUB 8008-AS is perfect in mid to big-sized venues and touring applications.

PROFESSIONAL POWERED DUAL 18" SUBWOOFER

- Up to 137 dB Sound Pressure Level
- 4400W Class-D Bi-Amplification
- 30-120 Hz linear frequency response
- 2 x 18" High Power Woofers
- IP Rated Powercon TRUE1 TOP IN/OUT
- 8 Crossover Presets and 4 Cardioid Presets



SUBWOOFERS SERIES

RCF's Class-D power amplifier technology packs huge performance operating with high efficiency into a lightweight solution. RCF amplifiers deliver an ultra-fast attack, realistic transient response, and impressive audio performance. The amplifier features a solid machined aluminium structure which not only stabilises the amplifier during transportation but also helps the fan-less heat dissipation. All the amplifiers present SMPS power supply section to produce maximum output and minimum weight.

SUB 8006-AS

The SUB 8006-AS is the largest and most powerful active sub woofer in the professional series. Featuring two 18" transducers, with 4" inside/outside voice coils, this cabinet is designed to delivery a serious amount of low frequency. Powered by a 2500W digital amplifier module, the SUB 8006-AS can perform in the most demanding situations.

The SUB 8006-AS input section includes Volume control, a Deep / Punch switch; Signal, Power and Limiter LED's; High pass switch; Phase switch; Cardioid switch; Delay control; Crossover and XLR signal link.

ACTIVE HIGH POWER SUBWOOFER

- 5000 Watt Peak power - 2500 Watt RMS
- 137 dB max SPL
- 30 Hz - 120 Hz frequency response
- 2 x 18" Woofer
- DSP controlled Input section with selectable presets
- Delay control
- Baltic birch tour grade cabinet

SUB 8004-AS

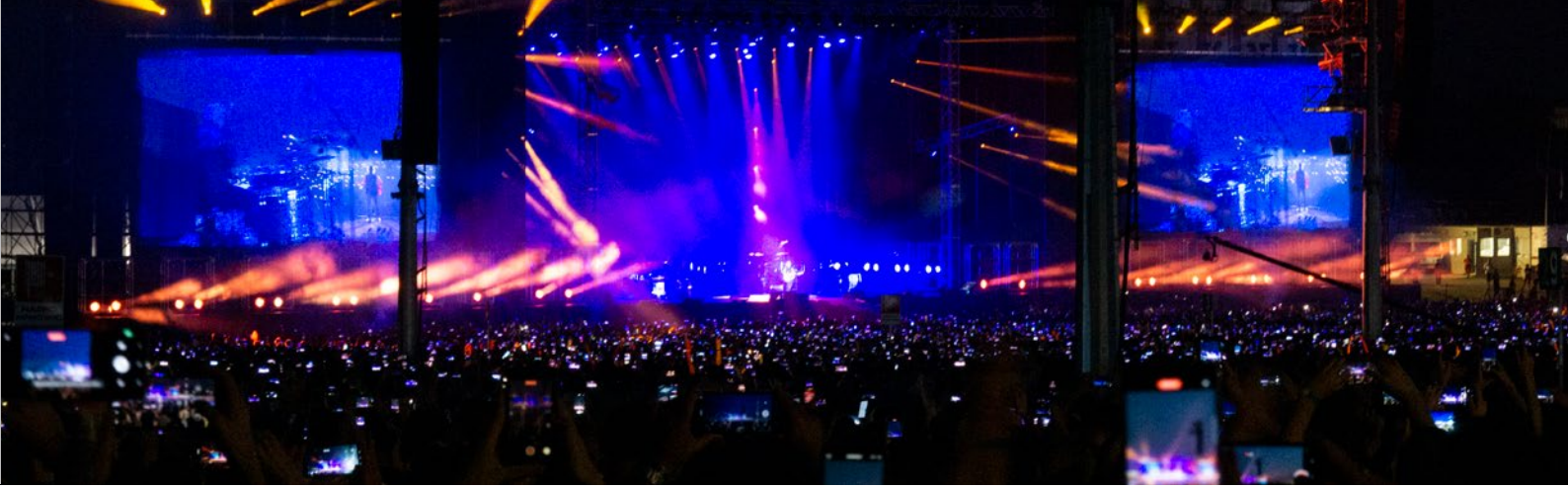
The SUB 8004-AS is one of the most powerful 18" subwoofers in pro-sound category. Featuring a high power, hypervented 18" woofer, with 4" inside/outside voice coils, this cabinet is designed to deliver a serious amount of low frequency. Powered by a 1250W digital amplifier module, the SUB 8004-AS can perform in the most demanding situations. The input board includes volume control, deep/punch switch, high pass switch, phase switch, cardioid, time delay.

The subwoofer input section includes Volume control, a Deep / Punch switch; Signal, Power and Limiter LED's; High pass switch; Phase switch; Cardioid switch; Delay control; Crossover and XLR signal link.

ACTIVE HIGH POWER SUBWOOFER

- 2500 Watt Peak, 1250 Watt RMS
- 136 dB max SPL
- 30 Hz - 120 Hz frequency response
- 18" Woofer, 4.0" voice coil vented woofer
- DSP controlled Input section with selectable presets
- Delay control
- Baltic birch tour grade cabinet
- Compatible with NXL 24-A II (stacking)
- Multiple configurations with HDL 10-A and HDL 20-A





SUB 8003-AS II

The SUB 8003-AS II active subwoofer features the latest generation of RCF woofer technology, digital amplifiers and DSP processing with higher power and enhanced performance. It offers the perfect blend of bass reproduction, high SPL and compact dimensions for mobile use by bands and DJs.

The subwoofer can be configured from the rear panel, that features a full set of commands:

- OUT SIGNAL, LINE / HIGH PASS
- PRESET
- VOLUME
- TIME

ACTIVE SUBWOOFER

- 2200 W
- 135 dB max SPL
- 35 Hz - 120 Hz frequency response
- 18" Woofer, 4.0" v.c.
- Selectable gain, X-over and delay
- Birch tour grade cabinet
- Stereo XLR input, Stereo XLR signal output

SUB 905-AS II

The SUB 905-AS II active subwoofer is ideal for building powerful subwoofer satellite systems where compactness and high sound levels are required at the same time. The SUB 905-AS has the most advanced RCF woofer technology, coupled with a powerful 2200 W digital amplifier. It offers the perfect blend of bass reproduction, high SPL and compact dimensions for mobile use by bands or DJs.

The subwoofer can be configured from the rear panel, that features a full set of commands:

- OUT SIGNAL, LINE / HIGH PASS
- PRESET
- VOLUME
- TIME

ACTIVE SUBWOOFER

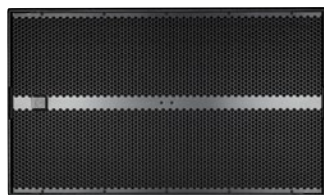
- 2200 W
- 133 dB max SPL
- 40 Hz - 120 Hz frequency response
- 15" Woofer, 3.0" v.c.
- Selectable gain, X-over and delay
- Birch tour grade cabinet
- Stereo XLR input, Stereo XLR signal output



SUBWOOFERS SERIES

The heavy-duty powder coated front grille integrates a central reinforcement bar and a special transparent-to-sound foam backing on the inside helps to further protect the transducers from dust. The subs are stackable and light-weight, for easy set-up and tear down. The transportation is fast with the detachable Kart kit: a dolly caster-board with rugged tour grade casters and rotating cam mechanism.

FEATURES



	SUB 9007-AS	SUB 9006-AS	SUB 9004-AS
Acoustical specifications			
Frequency Response:	20 Hz ÷ 400 Hz	30 Hz ÷ 400 Hz	30 Hz ÷ 400 Hz
Max SPL @ 1m:	141 dB	142 dB	136 dB
Transducers			
Woofers:	2 x 21" neo, 4.0" v.c.	2 x 18" neo, 4.0" v.c.	18" neo, 4.0" v.c.
Input/Output section			
Input signal:	bal/unbal	bal/unbal	bal/unbal
Input connectors:	XLR, RDNet Ethercon	XLR, RDNet Ethercon	XLR, RDNet Ethercon
Output connectors:	XLR, RDNet Ethercon	XLR, RDNet Ethercon	XLR, RDNet Ethercon
Input sensitivity:	+4 dBu	+4 dBu	+4 dBu
Processor section			
Hi-Pass Frequencies:	25Hz, 35Hz	30Hz, 40Hz	35 Hz, 50 Hz
Low-Pass Frequencies:	Variable from 50Hz to 400Hz	Variable from 50Hz to 400Hz	Variable from 50 Hz to 400 Hz
Crossover Frequencies:	-	-	-
Protections:	Thermal, RMS	Thermal, RMS	Thermal, RMS
Limiter:	Fast Limiter	Fast Limiter	Fast Limiter
Controls:	Gain, EQ, Xover, Phase switch, Output Delay Settings, Cardiloid	Gain, EQ, Preset, Phase switch, Output Delay Settings	Gain, Eq., Preset Switch, Output Delay
Power section			
Total Power:	7200 W Peak	7200 W Peak	2800 W Peak
Low frequencies:	7200 W Peak	7200 W Peak	2800 W Peak
Cooling:	Convection	Convection/Forced	Forced
Connections:	Powercon IN/OUT	Powercon IN/OUT	Powercon IN/OUT
RCF Technology	RDNET	RDNET	RDNET
Standard compliance			
CE marking:	Yes	Yes	Yes
Physical specifications			
Cabinet/Case Material:	Baltic birch plywood	Baltic birch plywood	Baltic birch plywood
Hardware:	Mounting points, 2 x M20	2 x M20	2xM20
Handles:	8 side	8 side	2 Side
Pole mount/Cap:	-	-	-
Grille:	Steel	Steel	Steel
Color:	Black	Black	Black
Size			
Height:	708 mm / 27.87"	558 mm / 21.97"	700 mm / 27.56"
Width:	1188 mm / 46.77"	1188 mm / 46.77"	558 mm / 21.97"
Depth:	785 mm / 30.91"	785 mm / 30.91"	700 mm / 27.56"
Weight:	96 kg / 211.64 lbs	86 kg / 189.6 lbs	57 kg / 125.66 lbs
PART NUMBER			
90-240 V	13000493	13000494	13000546
100-240 V - EU	-	-	-
100-240 V - US	-	-	-
220-240 V	-	-	-
100-120 V	-	-	-



SUB 8008-AS	SUB 8006-AS	SUB 8004-AS	SUB 8003-AS II	SUB 905-AS II
30 Hz ÷ 120 Hz 137 dB	30 Hz ÷ 120 Hz 137 dB	30 Hz ÷ 120 Hz 136 dB	35 Hz ÷ 120 Hz 135 dB	40 Hz ÷ 120 Hz 133 dB
2 x 18", 4.0" v.c.	2 x 18", 4.0" v.c.	18", 4.0" v.c.	18", 4.0" v.c.	15", 3.0" v.c.
bal/unbal XLR, Jack XLR -2 dBu/+4 dBu	bal/unbal XLR XLR -2 dBu/+4 dBu	bal/unbal XLR XLR -2 dBu/+4 dBu	bal/unbal XLR, Jack XLR -2 dBu/+4 dBu	- XRL Stereo XRL Stereo -2 dBu/+4 dBu
-	100 Hz	120 Hz	-	-
-	80 Hz	90 Hz	-	-
Selectable	-	-	Selectable	Selectable
Thermal, Excurs., RMS Soft Limiter	Thermal, RMS Fast Limiter	Thermal, RMS Fast Limiter	Thermal, RMS -	Thermal, RMS Soft Limiter
Xover, Phase switch, Deep/Punch, Output Delay Setting	Xover, Phase switch, Depp/Punch, Output Delay Settings, Cardioi	Xover, Phase switch, Deep/Punch, Outuput Delay Settings, Cardioi	Gain, EQ, Phase, Xover, Delay, Cardioi	Gain, EQ, Phase, Xover, Delay, Cardioi
4400 W Peak 4400 W Peak Convection/Forced Powercon TRUE1 TOP IN/OUT	5000 W Peak 5000 W Peak Convection Powercon IN/OUT	2500 W Peak 2500 W Peak Convection Powercon IN/OUT	2200 W Peak 2200 W Peak Convection Powercon IN/OUT	2200 W Peak 2200 W Peak Convection Powercon IN/OUT
-	-	-	-	-
Yes	Yes	Yes	Yes	Yes
Plywood 2 x M20 2 side -	Baltic birch plywood Mounting points 4 side -	Baltic birch plywood 2 x M20 2 Side -	Baltic birch plywood - 2 side Yes	Baltic birch plywood - 2 Side Yes
Steel Black	Steel Black	Steel Black	Steel Black	Steel Black
550 mm / 21.65"	709 mm / 27.91"	700 mm / 27.56"	694 mm / 27.32"	600 mm / 23.62"
1180 mm / 46.46"	1109 mm / 43.66"	558 mm / 21.97"	523 mm / 20.59"	445 mm / 17.52"
700 mm / 27.56"	700 mm / 27.56"	700 mm / 27.56"	700 mm / 27.56"	610 mm / 24.02"
80 kg / 176.37 lbs	96.4 kg / 212.53 lbs	56 kg / 123.46 lbs	42 kg / 92.59 lbs	30.2 kg / 66.58 lbs
-	-	-	-	-
-	-	-	13000432	-
-	-	-	13000433	-
13000752	13000372	13000392	-	13000434
13000753	13000373	13000393	-	13000435

SUBWOOFERS SERIES

We design our subwoofers to optimize the relationship between purity and sound power, combining absence of distortion with the ability to withstand high power levels over a long period of time.

ACCESSORIES

RIGGING

FL-B HDL 50	13360334
Flybar for HDL 50-A 4K + 1x Pickup Tab with Shackle + Stacking Bar + Mounting Bracket for inclinometer. Pins included.	

STACKING

AC PMA	13360034
Speaker pole mount.	
PM-KIT M20	13360067
Adjustable pole for subwoofer.	
STCK-KIT SUB 8006	13360231
Accessory to lock FLY BAR HDL 20-18 to the SUB 8006-AS. Accessory to lock FLY BAR HDL 10 to the SUB 8004-AS. M20 fixing point. Two pieces. Pins included.	
AC PMX	13360232
Speaker pole mount with pushbutton system and hand crank to avoid uncontrolled reverse motion. Locking screw provides additional safety.	
AC PRO-PM	13360110
Steel speaker pole mount with telescopic rod, tube diameter 35mm. Height adjustment using a non-scratching locking screw and safety pin. Moveable plastic splints separate the speaker from the stand creating a vibration-free connection. Easy to use ring lock.	
M20 PLATE	13360066
Threaded plate for M20 pole mount.	

COVERS

CVR SUB 9007	13360339
Protection cover. It features heavy-duty polyester outer fabric, foam rubber padding, and zip openings with Velcro fasteners.	
CVR SUB 9006	13360363
Protection cover. It features heavy-duty polyester outer fabric, foam rubber padding, and zip openings with Velcro fasteners.	
CVR SUB 9004	13360397
Protection cover. It features heavy-duty polyester outer fabric, foam rubber padding, and zip openings with Velcro fasteners.	
CVR SUB 8008	13360518
Protection cover. It features heavy-duty polyester outer fabric, foam rubber padding, and zip openings with Velcro fasteners.	
CVR SUB 8006	13360242
Padded Cover for SUB 8006-AS. It features heavy-duty polyester outer fabric, foam rubber padding, and zip openings with Velcro fasteners.	

COVERS

CVR SUB 708 II	13360323
Padded Cover for SUB 8003-AS. It features heavy-duty polyester outer fabric, foam rubber padding, and zip openings with Velcro fasteners.	
CVR SUB 905 II	13360379
Padded Cover for SUB 905-AS II. It features heavy-duty polyester outer fabric, foam rubber padding, and zip openings with Velcro fasteners.	

TRANSPORTATION

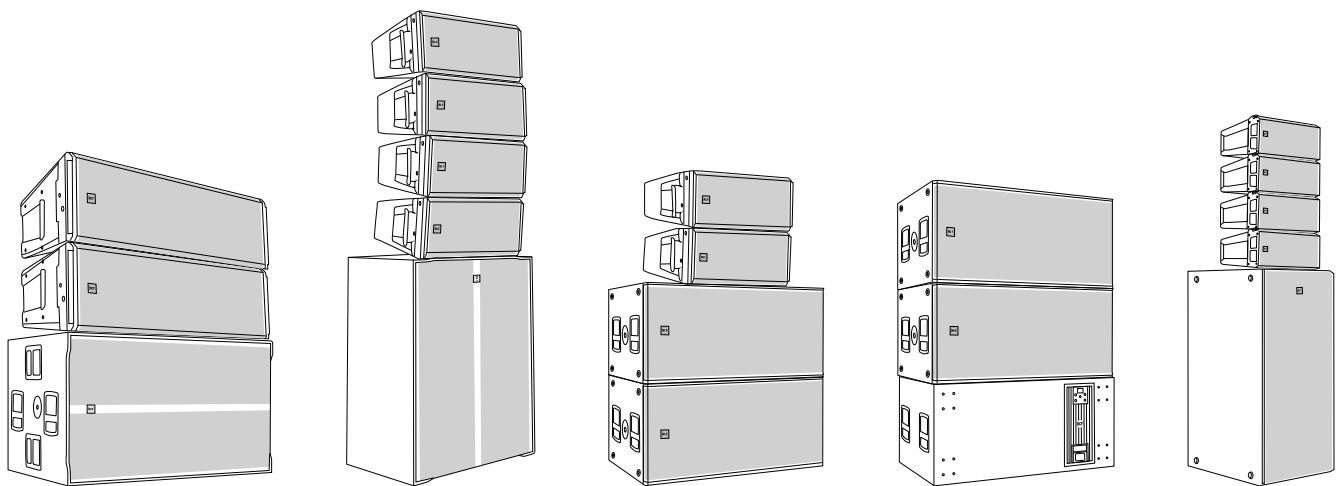
KRT-WH SUB 9007	13360348
Detachable front wheel board including 4 x 100 mm yellow wheels.	
KRT-WH SUB 9006	13360361
Detachable front wheel board including 4 x 100 mm yellow wheels.	
KRT-WH SUB 9004	13360385
Detachable front wheel board including 4 x 100 mm yellow wheels.	
WH PRO 4X	13360238
Kit no 4 swivel castor, 100mm / 4" Ø wheel with roller bearings	

RAIN COVERS

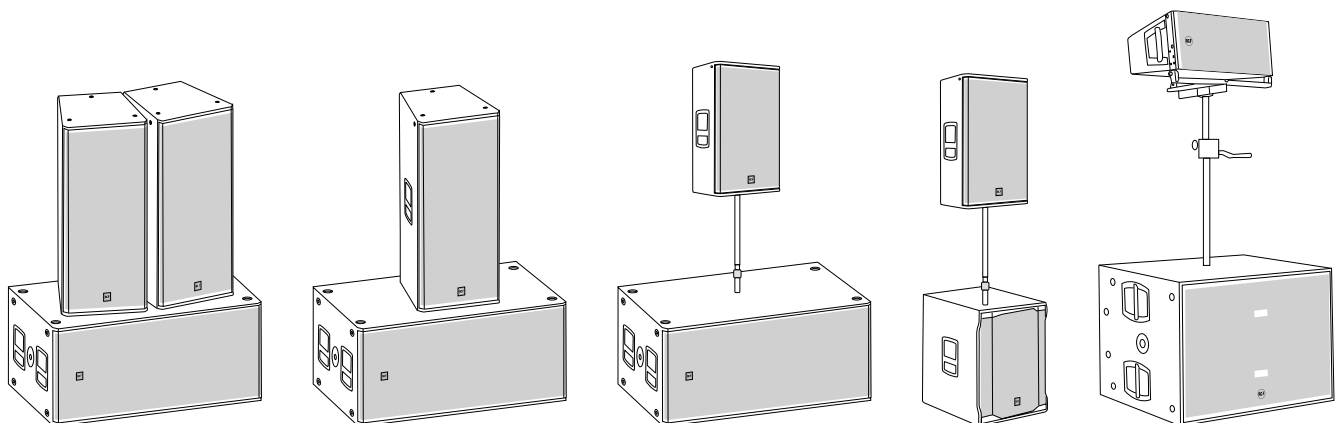
RP 1X SUB 9007	13360352
Rain cover for SUB 9007-AS.	
RP 1X SUB 9006	13360362
Rain cover for SUB 9006-AS.	
RP 1X SUB 9004	13360437
Rain cover for SUB 9004-AS.	
RP 1X SUB 8006	13360233
AC RAIN 8006 1 x Rain Cover for SUB 8006-AS amplifier.	



STACKING EXAMPLE: SUBWOOFER WITH LINE ARRAY MODULES



STACKING EXAMPLE: SUBWOOFER WITH SPEAKERS



RDNET NETWORK DEVICES

MANAGE UP TO 8 X 256 DEVICES VIA RDNET

RDNET CONTROL 8

The RDNET Control 8 is a real-time monitor and control system able to manage up to 256 devices linked in a bus or up to 128 devices in a ring topology. All the data collected from the slaves are delivered to the sound engineer by USB in a local installation or by Ethernet from remote locations. The interface can be directly connected to the DSP on board of every TT+ line array module through the exclusive RDNET protocol making it possible to address in single cabinets or groups, specific presets or modification parameters in real-time. The key point of RDNET Control 8, in fact, is to ensure minimum refresh time (at least 5 per second) of all the system data performance, for example: RMS signals, compressor activity, temperature, fans speed, warnings, etc. Data transfer can be routed also through the provided xlr connectors enabling the control of the system on traditional multi-cored cables.



COMMUNICATION FLEXIBILITY

The link between the PC and the RDNET Control 8 unit can be made through USB port or Ethernet port.



TOPOLOGY FLEXIBILITY

The RDNET Control 8 unit can manage up to 8 subnets. Up to 32 audio devices can be connected to each subnet (8 subnets x 32 = total 256 audio devices).

8 OUTPUT MASTER UNIT

- Ethernet (remote control) and USB (direct control) PC connection to RDNET
- Control UP to 8 Sub-Nets of UP to 32 slave devices
- All devices are cyclically scanned ("polling") 10 times a second
- Auto detect device placement
- Controlling slave devices status and functions
- Monitoring and displaying faults and warnings sent from slave devices
- Storing subnet user filters configuration in a removable memory card

General specifications

Number of subnets:	8
Connectors:	RJ 45, XLR
Max number of devices (for each subnet)	32
Configuration:	PC software
PC connection:	USB (type B), Ethernet
Data storage:	SD card (max. 4 GB)
Operating voltage:	90-240 V- 50/60Hz
Power consumption (W):	15
RDNET:	Yes

Standard compliance

CE marking:	Yes
-------------	-----

Physical specifications

Cabinet/Case Material:	Metal
Color:	Black
Rack mounting:	19", 1U

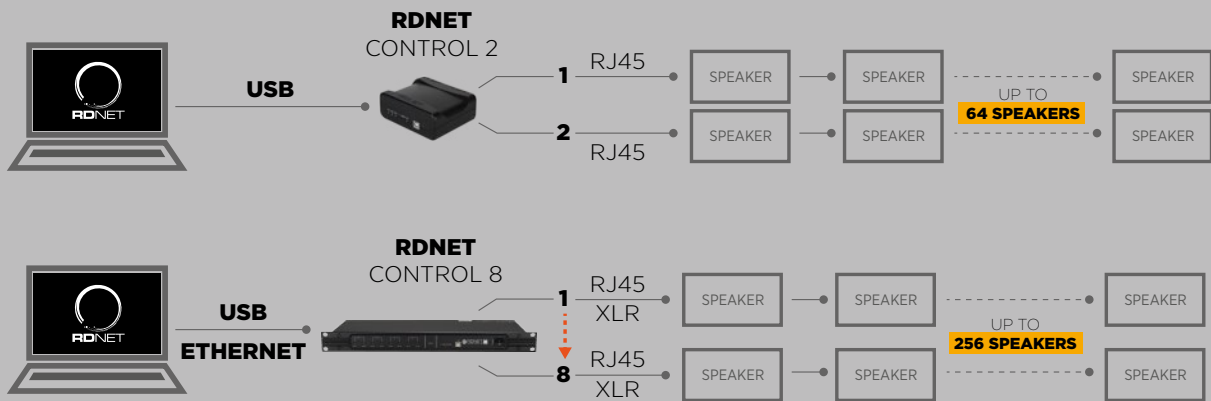
Size

Height:	44 mm / 1.73"
Width:	482 mm / 18.98"
Depth:	182 mm / 7.17"
Weight:	2.71 kg / 5.97 lbs

PART NUMBER

17170154





RDNET CONTROL 2

The RDNET Control 2 is an hardware interface to connect RCF RDNET compatible devices (TTL55-A, TTL33-A II, TTL31-A II, etc.) to a Personal Computer (PC) by means of an USB connection. The RDNET system was purposely developed to create a data network for monitoring and command of more systems. The RDNET Control 2 unit can manage up to 2 subnets. Up to 32 devices can be connected to each subnet (2 subnets x 32 = total 64 devices). The addressing of the various devices is handled automatically by RDNET Control 2 interface. Each device is assigned a unique address during the power on procedure of network. For the RDNET network operating, it is necessary to install the appropriate Software on PC, on Microsoft Windows® environment. From PC it is possible to check the operating of each single device connected to the network and edit its parameters output level, mute, equalization, delay, etc. The network and devices configuration can be saved as file in the PC and later reloaded. RDNET is a “real-time” system: Information relating to the functioning of the devices is acquired in real-time, a feature that allows a global view of connected devices.

General specifications

Number of subnets:	2
Connectors:	RJ 45, XLR
Max number of devices (for each subnet)	32
Configuration:	PC software
PC connection:	USB (typeB)
Power supply:	Powered by USB socket
RDNET:	Yes
Standard compliance	
CE marking:	Yes
Physical specifications	
Cabinet/Case Material:	ABS
Color:	Black
Size	
Height:	41 mm / 1.61"
Width:	111 mm / 4.37"
Depth:	90 mm / 3.54"
Weight:	0.17 kg / 0.37 lbs
PART NUMBER	17170163

2 OUTPUT MASTER UNIT

- Real-Time USB device monitoring and control
- Auto detect device placement
- Control up to 2 Sub-Nets of up to 32 slave devices
- All devices are cyclically scanned (“polling”) 10 times a second
- Connected devices are automatically added to the software synoptic



SYSTEM CONTROL

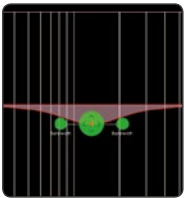
A COMPLETE RANGE OF POWERFUL, ROBUST, TOUR-PROOF DEVICES FOR ROUTING, DSP AND AUDIO NETWORKING.

DX 1616

DX 1616 AES-Dante remote software. This network-based software designed for Microsoft Windows and Mac OSX allows the management of the DX 1616 Matrix Sound Processor. -Pre-Amp configuration, selecting source types like analog, AES/EBU, Dante -Designing Input groups for festival applications -Input source processing with EQ, delay and compressor -Powerful 16x16 router to assign processing tasks to flexible output patches.

OUTPUT PATCH

With 16 analog outputs, DX 1616 offers flexible routing possibilities. The engineer can use up to 16 individual DSP modules for each output or he can even assign several analog outputs to a specific DSP module to use these outputs as high-quality line drivers. In combination with the RCF CP16 control panel any wiring configuration is supported.



DSP MODULE

The DSP module offers high pass filters, low pass filters, parametric EQ, all pass filters, level, compressor and output delay for perfect system control even if no RDNNet controlled speaker is part of the system.

MATRIX AUDIO PROCESSOR

- Hybrid architecture DSP
- 48 KHz sampling, 40 bit floating point engine
- 16 x 16 I/O matrix
- **Dante** enabled network audio transport
- 8 AES/EBU inputs - 8 AES/EBU outputs
- Ethernet connectivity and control
- Maximum latency 3 ms
- Easy to use software GUI

CR 16-ND

The CR 16-ND is a 10 Unit flight case designed to control the HDL 50-A line array system. The CR 16-ND includes one Control 8 that manages the RDNNet connection to up to 256 devices, one DX 1616 matrix processor that takes care of audio signals routing and processing and one CP 16 control panel to bring audio and control signals to 4 x LK 25 multipin outputs. Each LK 25 has four audio channels, two RDNNet channels and two spare sends. Each signal is doubled to XLR redundant outputs. Dual Switch not included. Ask RCF and adapt the System to your networking protocol.

CONTROL RACK

- 10 RU flight case on shock mounts
- DX 1616 matrix audio processor
- CONTROL 8 master unit
- CP16 control panel
- 16 analog audio inputs, 16 analog audio outputs
- 8 AES/EBU inputs - 8 AES/EBU outputs
- **Dante** input
- 4 x LK 25 multicore audio/RDNNet outputs



connect and
manage



FEATURES

	DX 1616
Audio performance	
Frequency Response (-3dB):	20 Hz ÷ 22 kHz
Crosstalk (on the whole bandwidth):	<-100 dB dB
Distortion (THD+N) @ 1 kHz nominal power:	<0.001 %%
Dynamic range:	>110 dB
Common Mode Rejection Ratio (50 Hz to 10 kHz):	>100 dB
Digital audio performance	
Resolution:	40
Sampling rate:	48
A/D - D/A converters:	24
Propagation delay:	3
Input section	
Total number of inputs:	17
Balanced:	17
Mono:	16
Mic+Line inputs:	16
Mic+Line connectors:	Euroblock
Mic+Line Phantom:	21 V DC - 44 V DC
Digital inputs:	1
Digital connectors:	RJ45
Digital type:	AESBU, DANTE
Output section	
Signal output number:	16
Signal output connectors:	Euroblock
Processing	
DSP, EQ Filters, Delay, Tone controls:	Yes
High-pass filter:	20 ÷ 20000 Hz
Crossover:	20 ÷ 20000 Hz
Controls	
Configuration:	Ethernet, PC Software
Number of programs/presets:	70
Protocols for system integration:	Open TPC-IP
Protections	
Cooling:	Convection/Forced
Fuses:	Yes
Power requirement	
Operating voltage:	90-240 V - 50/60HzV - Hz
Power consumption:	20 W
Standard compliance	
CE marking:	Yes
Physical specifications	
Cabinet/Case Material:	Metal
Color:	Black
Rack mounting:	19", 1U
Size	
Height x Width x Depth:	44x 483x229 mm 1.73x 19.02x9.02"
Weight:	3.31 kg / 7.3 lbs
PART NUMBER	12399033

	CR 16-ND
General specifications	
Rack Unit:	10
Analog Audio Inputs	16
Analog Audio Outputs:	16
AES/EBU Inputs/Outputs	8
Dante Input	Yes
Master Unit	8
RDNet:	Yes
Standard compliance	
CE marking:	Yes
Physical specifications	
Cabinet/Case Material:	Metal
Color:	Black
Rack mounting:	19", 1U
Size	
Height:	570 mm / 22.44"
Width:	610 mm / 24.02"
Depth:	630 mm / 24.8"
Weight:	57 kg / 125.66 lbs
PART NUMBER	12100004

CABLES ACCESSORIES

CONTROL AND AUDIO CABLES

AC XLR 3M3F	13360102
3 XLR Female connector with nickel body and silver contacts. 3 XLR Male connector with nickel body and silver contacts.	
CBL LKS 25-2 FANOUT	12399021
25 pin to 8X XLR, cable 1.0 meters, fanout 1.0 meters.	
CBL LK 25 MULTIPIN 20M	12399022
25 pin male female cable 20 meters.	
CBL LK 25 MULTIPIN 10M	12399023
25 pin male female cable 10 meters.	
CBL ETHERCON 0.7M	12399016
Ethercon cable 0.7 meters. Compatible with RDNET.	
CBL ETHERCON 1.5M	12399017
Ethercon cable 1.5 meters. Compatible with RDNET.	
CBL ETHERCON 1.5M	12399017
Ethercon cable 1.5 meters. Compatible with RDNET.	
CBL ETHERCON 3M	12399035
Ethercon cable 3 meters. Compatible with RDNET.	
CBL ETHERCON 5M	12399018
Ethercon cable 5 meters. Compatible with RDNET.	
CBL ETHERCON TO XLR F 0.2M	12399019
Adapter cable Ethercon to XLR female 0.2 meters.	
CBL ETHERCON TO XLR M 0.2M	12399020
Adapter cable Ethercon to XLR male 0.2 meters.	

POWER

CLEVER AND SAFE POWER MANAGEMENT FOR YOUR SOUND SYSTEM.

PR 63

The Power Rack PR-63 features the PD 63 A-419 power distribution with a 63 A Cekon power input with 5 m fixed cable. The three-phase power is distributed in a 32 A Cekon output, 4 x LKS19 output, 6 x Powercon output, 1 Powercon auxiliary output to power the CR 16-ND Control

Rack. All outputs are equipped with individual RCBOs (Residual Current-operated Circuit-Breaker with Overcurrent protection) for maximum reliability. In case of damage, only the faulty output is missed while the rest of the system continues to function.



63-AMPERE RACK

From a single 63-Ampere Cekon connector the power rack delivers power distribution to large PA systems, including up to 12+12 left-right line array systems, a large subwoofer system and a complete stage power monitoring. 32-Ampere power output for chain motors and 16-Ampere Powercon output to supply CR 16-ND are included.

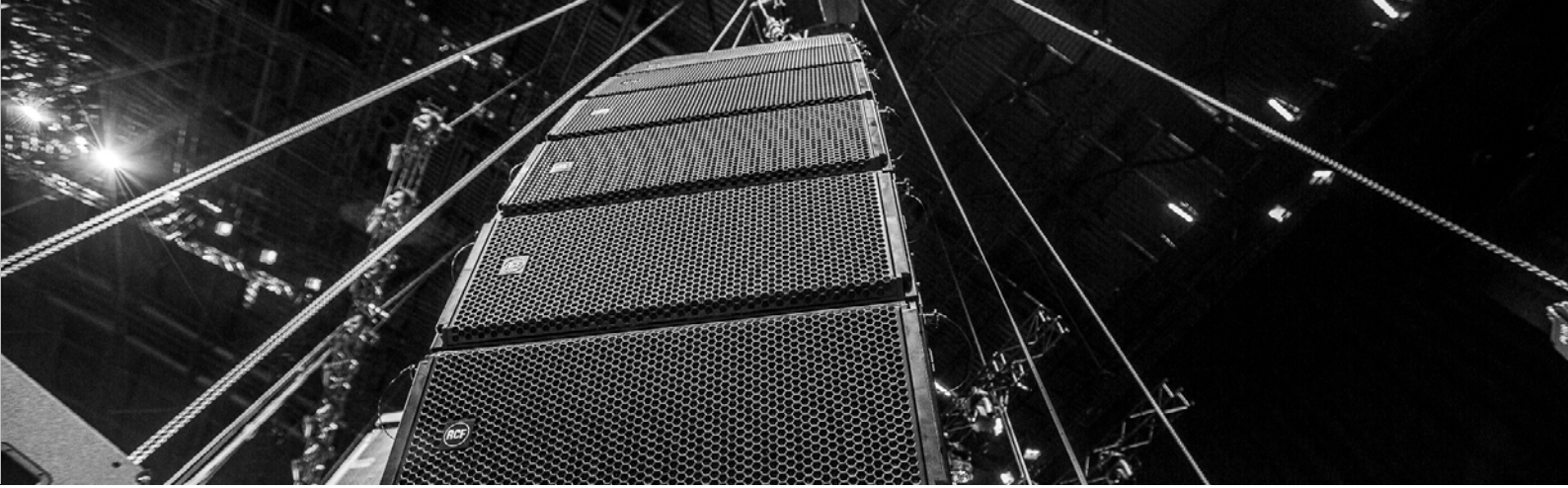
In a sound reinforcement system, power has to be managed in a clever and safe way to ensure highest reliability and only by using high quality cables and sockets will it be touring proof.

The LKS 19 power cable provides 6 x 20 A power feeds in a very tight pack, able to power up to 12 x HDL 50-A 4K or 24 x HDL 30-A. Additional speakers and subwoofer can be powered by the PowerCon sockets on the PR-63 panel (parallel to the LKS19).

POWER RACK

- 63 Ampere Cekon power input with 5 m cable
- 32 Cekon outputs
- 4 x LKS 19 outputs
- 6 x Powercon outputs + 1 Powercon auxiliary output
- 24 x individual power line RCBOs
- 32 Ampere and Auxiliary individual front RCBOs
- Tour Grade flight case construction





FEATURES

	PR 63
General specifications	
Power Input Connectors	63 Ampere Cekon with 5 m Cable
Outuputs Connector	32 Cekon, 4 x LKS 19
Powercon Outputs	6 + 1 Auxiliary
Individual Power line RCBOs	24
Standard compliance	
CE marking:	Yes
Physical specifications	
Cabinet/Case Material:	Metal
Color:	Black
Rack mounting:	19", 1U
Size	
Height:	570 mm / 22.44"
Width:	610 mm / 24.02"
Depth:	630 mm / 24.8"
Weight:	65.8 kg / 145.06 lbs
PART NUMBER	12100006

CABLES ACCESSORIES

POWER DISTRIBUTION

CBL LKS 19 ARRAY FANOUT	12399024
Array fan out cable 0.5 - 1.3 - 2.1 - 2.9 - 3.7 - 4.5 M	
CBL LKS 19 SUB FANOUT	12399025
Sub fan out cable 2X 2.5 - 2X 5.0 - 2X 10.0 M	
CBL LKS 19 BREAKOUT	12399026
Breakout box with LKS 19 Input/Output to 6x powercon	
CBL LKS 19 POWER 20M	13360146
LKS 19 power cable 20 meters	
CBL LKS 19 POWER 10M	12399027
LKS 19 power cable 10 meters	
CBL POWERCON LINK 10M	12399028
Powercon link cable 10 meters	
CBL POWERCON LINK 5M	12399029
Powercon link cable 5 meters	
CBL POWERCON LINK 1.5M	12399030
Powercon link cable 1.5 meters	
CBL POWERCON LINK 0.7M	12399031
Powercon link cable 0.7 meters	
CBL POWER BOX 6X	13360145
Breakout box with LKS 19 Input/Output to 6x powercon	

CONCERTS AND LIVE EVENTS

AUSTRIA	Wien	WIEN MARATHON
CHINA	Taiyuan, Shanxi Hangzhou, Zhejiang	SHANXI OPERA GROUP G20 MEETING
CROATIA	Split Zrće	ULTRA EUROPE FESTIVAL FATBOY SLIM
CUBA	Various cities	POPE FRANCIS'S TRIP TO CUBA
FRANCE	Belle Ile en Mer Le Mans Lievin Arena Orleans Various cities Wervicq-Sud	BELLE ILE ON AIR FESTIVAL LOUANE AND MARINA KAYE CHAMPIONNAT FRANCE ATHLETISME VIBRATION TOUR TOUR DE FRANCE FÊTE JEHAN VAN D'HELLE
GERMANY	Dessau Düsseldor Erfurt Eriskirch German tour Köln Vechta	SPLASH! AND MELT! FESTIVAL MITSUBISHI ELECTRIC HALLE EVENTBESCHALLUNG ERFURT ARENA STADTHALLE ALAN PARSONS LIVE PROJECT LANXESS ARENA TANTE MIA TANZT FESTIVAL
GREECE	Athens	RED BULL SOUNDCLASH
INDIA	Hyderabad Kolkata New Delhi	DJ DIPLO LIVE AT THE PRISM CLUB VISHAL-SHEKHAR LIVE WBO TITLE FIGHT GULLY GANG
ITALY	Correggio Livorno Milan Milan Perugia Perugia Various cities Rome Various cities Verona Venezia	FRANCESCO DE GREGORI PANARIELLO SOTTO L'ALBERO CROZZA ALIVE VASCO ROSSI UMBRIA JAZZ 2015 AND 2016 RADIO SUBASIO CONCERT LIGABUE POPE FRANCIS AT THE OLYMPIC STADIUM LIGABUE MONDOVISIONE TOUR ARENA DI VERONA ANDREA BOCELLI AT THE ARSENALE
JAPAN	Chiba	BIG BEACH DANCE FESTIVAL
MEXICO	Michoacan	THE DOORS
NORTHERN IRELAND	Lisburn	LISBURN LIGHT FESTIVAL
PERU	Lima	IRON MAIDEN
UK	London Lancaster Manchester South Shields	ESPORTS CHAMPIONSHIP SERIES 1, WIMBLEDON HIGHEST POINT FESTIVAL VICTORIA WAREHOUSE GREAT NORTH RUN
USA	Anaheim, CA Charlotte, NC Detroit, MI Las Vegas, NV Las Vegas, NV Louisville, KY Miami, FL Middletown, NY New York, NY Rochester, NY Various cities Various cities Various cities Various cities Wilkesboro, NC	ULTIMATE NAMM NIGHT FUTURE MOVEMENT FESTIVAL FREMONT STREET EXPERIENCE EXTREME THING 2013 SUGAR RAY COLOMBIAN INDEPENDENCE FESTIVAL ORANGE COUNTY FAIR TIME MCGRAW AVERY FISHER HALL FAIRPORT MUSIC FESTIVAL FRED HAMMOND AND UNITED TENORS KEM'S "WHAT CHRISTMAS MEANS" 2013 TOUR GEORGE THOROGOOD TOUR YES TOUR MERLEFEST







www.rcf.it

HEADQUARTERS:

RCF S.p.A. Italy
tel. +39 0522 274 411
e-mail: info@rcf.it

RCF UK
Int. +44 (0) 1702 800846
e-mail: info@rcfaudio.co.uk

RCF France
tel. +33 6 24 15 81 76
e-mail: france@rcf.it

RCF Germany
tel. +49 2203 925370
e-mail: germany@rcf.it

RCF Spain
tel. +34 91 817 42 66
e-mail: info@rcfaudio.es

RCF Benelux
tel. +49 (0) 2203 9253724
e-mail: benelux@rcf.it

RCF USA Inc.
tel. +1 732-9026100
e-mail: info@rcf-usa.com